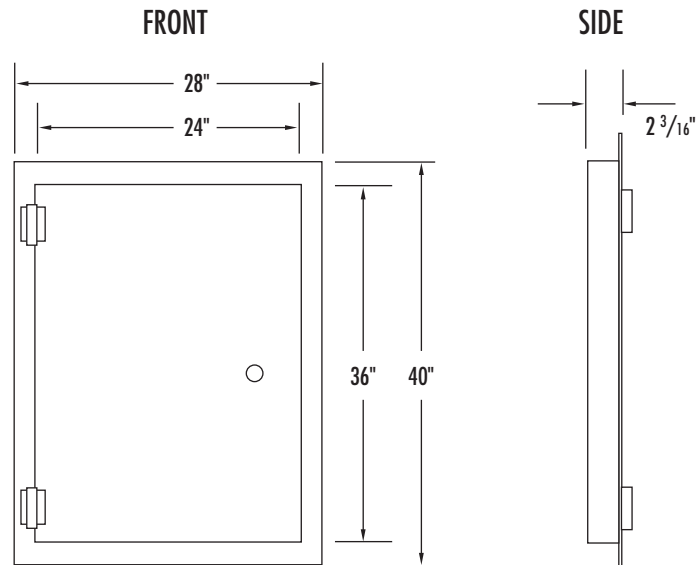


Model #: IAP-2436 (With no lock)
IAP-2436L (With lock)



Overview

Solid steel frame, hinge and door combination designed to limit access to designated areas. With or without lock.

Fabrication & Material:

Cut, formed and welded 10 gauge steel plate flanged 2" all around. Steel angle frame is 7 gauge formed plate.

Finish:

Primed.

Weight:

95 lbs.

Options:

IAP-2436-Access panel with no lock.

IAP-2436L-Access panel with customer specified lock.

Custom sizes.

Assembly:

Shipped assembled.

Installation:

Norix only recommends its products to be attached to solid concrete surfaces. For all other applications consult your professional installer for proper attachment. Installation hardware not supplied by Norix.

Warranty:

1 year limited replacement warranty.

Maintenance:

Standard household or commercial cleaners.

Filing System:

11190 Detention Furnishings