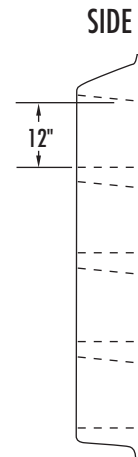
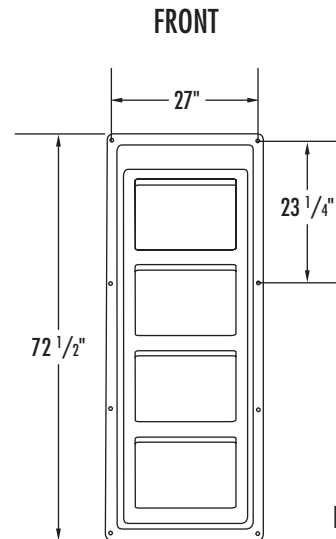
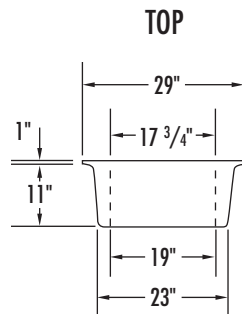


Model #: ATN400



Note: Tolerances are $\pm 1\%$ due to manufacturing process.

Overview

Wall-mounted, 4-compartment storage system. Engineered for intensive use environments and institutional durability. Proven suitable for continuous daily use in a healthcare or correctional environment. Impact resistant. Rounded corners and tapered top to reduce suicide risk. Designed to be mounted to solid concrete walls.

Fabrication:

Slightly textured maintenance free surface allows for easy cleaning.

Material

Rotationally molded, specially formulated, fire-retardant, high-impact polyethylene with ultraviolet light stabilizers (to reduce fading.) Unit is filled with rigid polyurethane foam for increased durability and sound absorption.

Flammability:

Certified to pass the following flammability standards:

- State of California, Technical Bulletin No. 133, Flammability Test Procedure for Seating Furniture for Use in Public Occupancies.
- UL1056 Fire Test of Upholstered Furniture
- ASTM E1537 Test Method for Fire Testing of Real Scale Upholstered Furniture Items
- NFPA 261 Cigarette Ignition Resistance of Upholstered Furniture

Color:

Mulberry, Sawgrass, Pine Cone, Golden Wheat, Lagoon, River Rock.

Weight:

55 lbs.

Assembly:

None required.

Installation:

Anchors required for permanently attaching to solid wall. Anchors not supplied by Norix. Groove along mounting surface for caulk application (caulk not supplied by Norix).

Warranty:

5 year limited replacement warranty.

Maintenance:

Easily cleaned with a damp cloth and a mild soap solution.

Filing System:

12600 Institutional Furniture
11197 Correctional Furniture