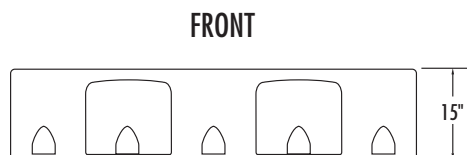
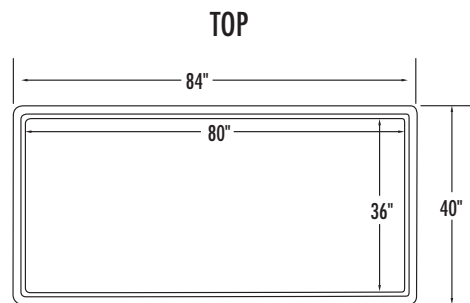


Model #: ATN101
ATN101B (Bed with bottom enclosure)

Note: Tolerances are $\pm 1\%$ due to manufacturing process.



Overview

Floor mounted bed. Engineered for intensive use environments and institutional durability. Raised lip around bed deck pools fluid for easy clean-up. Proven suitable for continuous daily use in a healthcare or correctional environment. Impact resistant.

Fabrication:

Slightly textured maintenance free surface allows for easy cleaning.

Material

Rotationally molded, specially formulated, fire-retardant, high-impact polyethylene with ultraviolet light stabilizers (to reduce fading.) Chemically resistant to blood, vinegar, urine, feces, salt solution and chlorine solution. Unit is filled with rigid polyurethane foam for increased durability and sound absorption.

Flammability:

Certified to pass the following flammability standards:

- State of California, Technical Bulletin No. 133, Flammability Test Procedure for Seating Furniture for Use in Public Occupancies.
- UL1056 Fire Test of Upholstered Furniture
- ASTM E1537 Test Method for Fire Testing of Real Scale Upholstered Furniture Items
- NFPA 261 Cigarette Ignition Resistance of Upholstered Furniture

Color:

Mulberry, Sawgrass, Pine Cone, Golden Wheat, Lagoon, River Rock.

Weight:

ATN101: 110 lbs.
ATN101B: 121 lbs.

Assembly:

None required.

Options:

Restraint rings. Wall mount headboard. Bottom closure panel. Floor glides.

Installation:

Wedge anchors and $\frac{3}{8}$ " bolts required for permanently attaching to floor. Anchors and bolts not supplied by Norix. Groove along underside edge for caulk application (caulk not supplied by Norix).

Warranty:

5 year limited replacement warranty.

Maintenance:

Easily cleaned with a damp cloth and a mild soap solution.

Filing System:

12600 Institutional Furniture
11197 Correctional Furniture