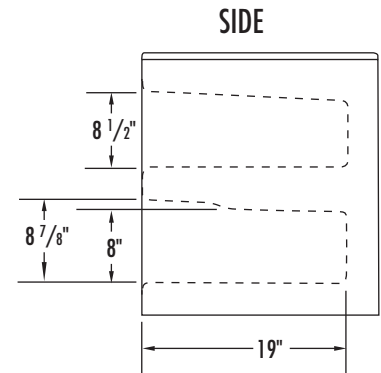
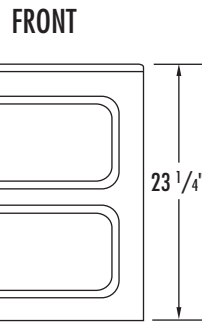
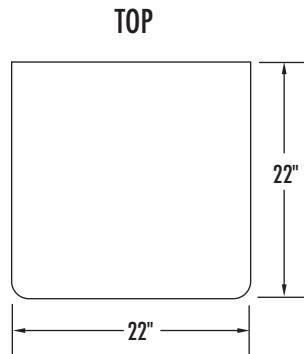


Model #: ATN255



Note: Tolerances are  $\pm 1\%$  due to manufacturing process.

**Overview**

Floor mounted nightstand with decorative High Pressure Laminate (HPL) top and durable resin edge. Engineered for intensive use environments and institutional durability. Proven suitable for continuous use in a behavioral healthcare or correctional environment. Impact resistant.

**Fabrication:**

Base: Slightly textured maintenance free surface allows for easy cleaning.  
Top: 45 lb. density M3 Grade particle board with threaded inserts for steel to steel connection.

**Material**

Base: Rotationally molded, specially formulated, fire-retardant, high impact polyethylene with ultraviolet stabilizers (to reduce fading.) Chemically resistant to blood, vinegar, urine, feces, salt solution and chlorine solution. Unit is filled with rigid structural polyurethane foam for increased durability and sound absorption.  
Top: Decorative high-pressure laminate sealed with a specially formulated, highly durable molded edge. Edge is radiused for safety and pressure fused to the top, rendering it permanently non-removable and highly sanitary.

**Color:**

Base: Mulberry, Sawgrass, Pine Cone, Golden Wheat, Lagoon, River Rock.  
Top: Wilsonart<sup>®</sup> 10776-60 Kensington Maple, Wilsonart<sup>®</sup> 7816-60 Solar Oak, Wilsonart<sup>®</sup> 7054-60 Wild Cherry.

**Weight:**

33 lbs.

**Assembly:**

None required.

**Installation:**

Anchors required for permanently attaching to floor. Anchors not supplied by Norix.

**Warranty:**

5 year limited replacement warranty.

**Maintenance:**

Easily cleaned with a damp cloth and a mild soap solution.

**Filing System:**

12600 Institutional Furniture  
11197 Correctional Furniture