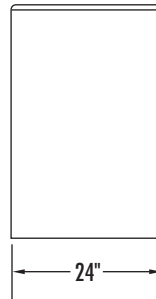
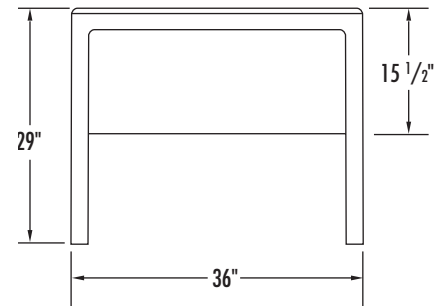


SIDE



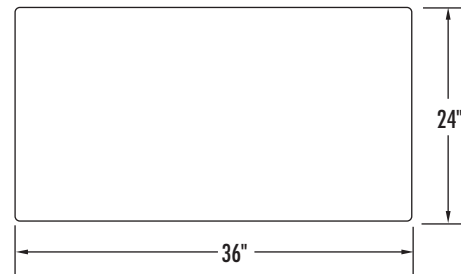
FRONT



Model #: ATN600

Note: Tolerances are $\pm 1\%$ due to manufacturing process.

TOP



Overview

Floor mounted desk. Engineered for intensive use environments and institutional durability. Proven suitable for continuous daily use in a healthcare or correctional environment. Impact resistant.

Fabrication:

Base: Slightly textured maintenance free surface allows for easy cleaning.
Top: High pressure laminate bounded to 45# density particle board core. Desk top has six threaded inserts for steel to steel connection.

Material

Base: Rotationally molded, specially formulated, fire-retardant, high-impact polyethylene with ultraviolet light stabilizers (to reduce fading.) Unit is filled with rigid polyurethane foam for increased durability and sound absorption.
Top: .75" medium-density particle board with high pressure laminate and molded edge.

Color:

Base: Mulberry, Sawgrass, Pine Cone, Golden Wheat, Lagoon, River Rock.
Top: Wilsonart[®] 10776-60 Kensington Maple, Wilsonart[®] 7816-60 Solar Oak, Wilsonart[®] 7054-60 Wild Cherry.

Weight:

48 lbs.

Assembly:

None required.

Installation:

Anchors required for permanently attaching to floor. Anchors not supplied by Norix.

Warranty:

5 year limited replacement warranty.

Maintenance:

Easily cleaned with a damp cloth and a mild soap solution.

Filing System:

12600 Institutional Furniture
11197 Correctional Furniture