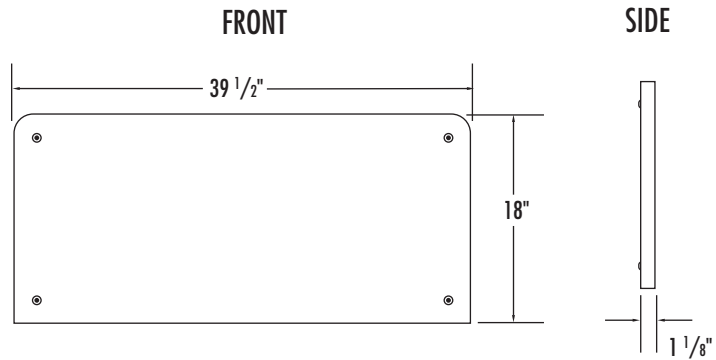


Model #: ATN110

Note: Holes are not pre-drilled.



Overview

An optional accessory for the Floor Mount Attenda Bed (Model: ATN101). Engineered for intensive use environments and institutional durability. Natural wood-grain appearance. Impact resistant. Mounts directly to the wall.

Fabrication & Materials:

1 1/8" 45# density M3 grade particle board with durable high-pressure laminate surface and 2mm PVC edge.

Color:

Wilsonart[®] 10776-60 Kensington Maple, Wilsonart[®] 7816-60 Solar Oak, Wilsonart[®] 7054-60 Wild Cherry.

Weight:

22 lbs.

Assembly:

None required.

Installation:

Anchors required for permanently attaching to wall. Anchors not supplied by Norix. Headboard should be through-bolted to wall, exposing hardware.

Warranty:

5 year limited replacement warranty.

Maintenance:

Easily cleaned with a damp cloth and a mild soap solution.

Filing System:

12600 Institutional Furniture
11197 Correctional Furniture