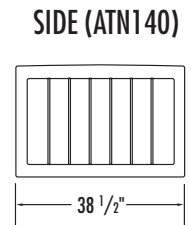
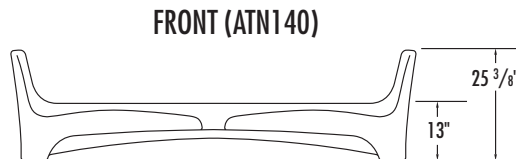
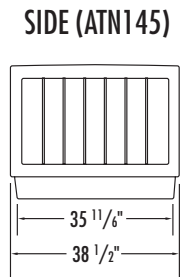
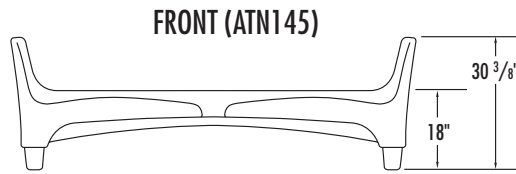
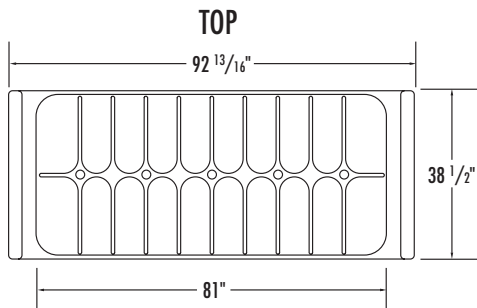


Model #: ATN145 (18" Height)
 ATN145H (18" Height with Drainage Holes)
 ATN140 (13" Height)
 ATN140H (13" Height with Drainage Holes)



Note: Tolerances are $\pm 1\%$ due to manufacturing process.

Overview

One-piece molded bed with raised sleep surface and headboard/footboard. Designed and engineered specifically for intensive-use environments and institutional durability. Impact resistant. Optional drain holes allow fluids to drain away from user, providing a solution for incontinent patients. Proven suitable for continuous use in a behavioral healthcare or correctional environment.

Fabrication & Material:

Slightly textured maintenance free surface allows for easy cleaning. Rotationally molded, specially formulated, fire-retardant, high impact polyethylene with ultraviolet stabilizers (to reduce fading.) Chemically resistant to blood, vinegar, urine, feces, salt solution and chlorine solution. Product is filled with rigid structural polyurethane foam for increased durability and sound absorption. Included as standard non-removable nylon-bottom floor levelers inserted securely into the bottom of the head and footboard sections.

Color:

Buff, Fog Grey, Blue Grey, Plum, Teal, Slate Blue, Chestnut.

Weight:

ATN140: 125 lbs.
 ATN145: 125 lbs.

Assembly:

None required.

Options:

13" Height Model, and 18" Height Model. Drainage holes. Stainless steel plates for bolt-down application

Installation:

Required for bolt-down plates.

Warranty:

5 year limited replacement warranty.

Maintenance:

Easily cleaned with a damp cloth and a mild soap solution.

Filing System:

12600 Institutional Furniture
 11197 Correctional Furniture