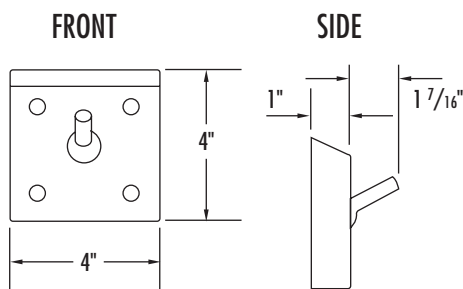
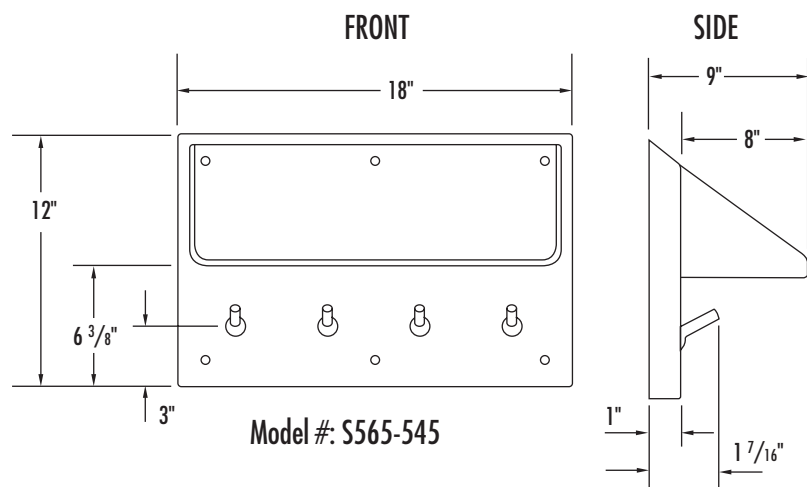


Model #: S565-531



Model #: S565-528



Model #: S565-545

Overview

Wall mounted ball-style, jam resistant collapsible hooks. Engineered and suitable for continuous daily use in a correctional environment.

Fabrication:

Formed and welded stainless steel wall mount clothes hooks with ball-joint type collapsible hooks.

Material:

Body: 14 gauge, type 304, stainless steel.

Hooks: Machined type 304 stainless steel.

Color:

Brush satin finish.

Weight:

S565-528: .8 lbs.

S565-531: 3.8 lbs.

S565-545: 14.5 lbs.

Assembly:

Shipped assembled.

Installation:

Bolt to wall. Wall mounting hardware not included.

Tension not factory preset.

Warranty:

1 year limited replacement warranty.

Maintenance:

Easily cleaned with a damp cloth and a mild soap solution.

Filing System:

12600 Institutional Furniture

11197 Correctional Furniture