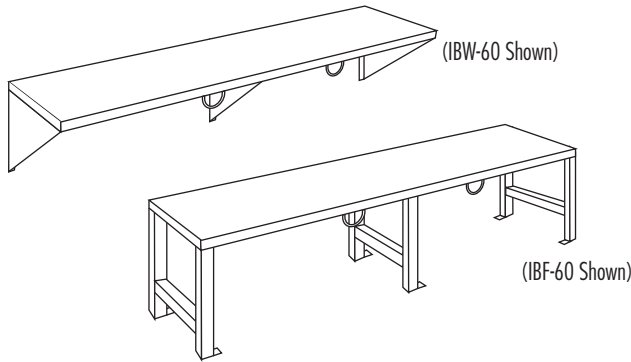




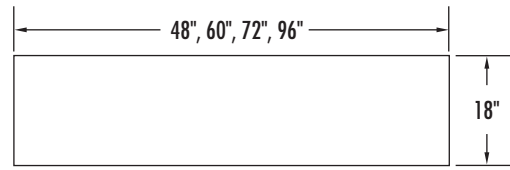
FURNITURE

Extraordinary by Design™

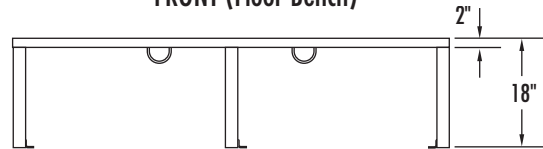


Bench With Cuff Rings

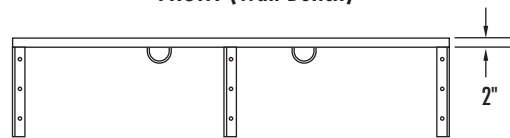
TOP



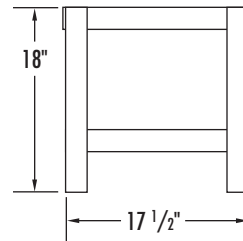
FRONT (Floor Bench)



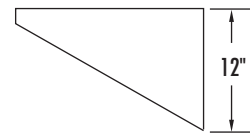
FRONT (Wall Bench)



SIDE (Floor Bench)



SIDE (Wall Bench)



- Model #: IBW-48 (48" Wall Bench)
- IBW-60 (60" Wall Bench)
- IBW-72 (72" Wall Bench)
- IBW-96 (96" Wall Bench)
- IBF-48 (48" Floor Bench)
- IBF-60 (60" Floor Bench)
- IBF-72 (72" Floor Bench)
- IBF-96 (96" Floor Bench)

Overview

Steel benches with cuff rings for transit, holding and intake areas.

Fabrication & Material:

Cut, formed and welded steel. Cuff rings welded to frame. 12 gauge steel seating surface with 1/8" wall legs or 7 gauge (.180") brackets and 3/8" dia. steel cuff rings with powder coat finish.

Finish:

Powder coat.

Color:

Grey.

Weight:

- IBW-48: 50 lbs.
- IBW-60: 65 lbs.
- IBW-72: 80 lbs.
- IBW-96: 95 lbs.
- IBF-48: 70 lbs.
- IBF-60: 85 lbs.
- IBF-72: 100 lbs.
- IBF-96: 115 lbs.

Options:

48", 60" 72" and 96" Lengths. Available without cuff rings. Stainless steel top. 10 gauge top.

Assembly:

Shipped assembled.

Installation:

Weld or bolt unit to wall plates or bolt to floor. Floor and wall mounting hardware not included.

Warranty:

1 year limited replacement warranty.

Maintenance:

Standard household or commercial cleaners.

Filing System:

- 12600 Institutional Furniture
- 11197 Correctional Furniture

