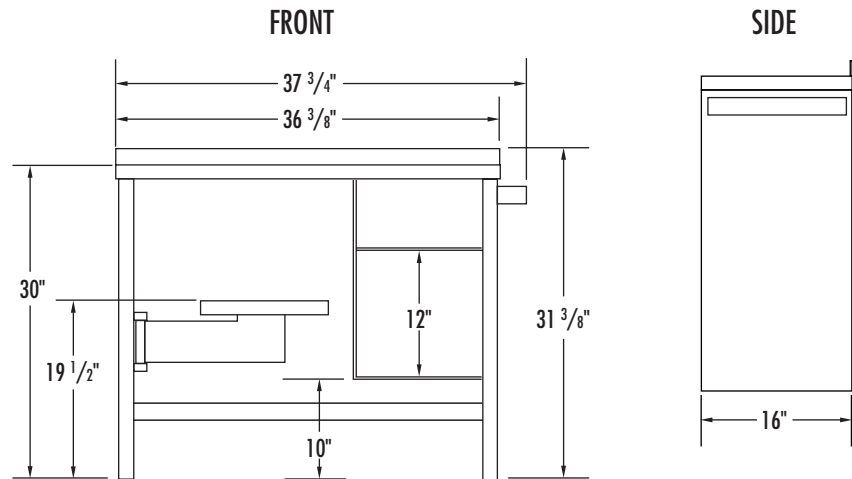


Model #: D565



Overview

Floor mounted, steel desk with two shelves, towel bar and attached swing-out seat for use in cells and other correctional environments.

Fabrication:

Fully welded. Flanged edges and perimeters. Floor mounting tabs have holes for bolt-down application. Shelves hemmed at front for safety. Hinged seat support designed to swing seat away from desk when in use and under desk when not in use.

Material:

Top: 10 gauge steel with baked on factory applied epoxy powder coat finish.

Sides: 12 gauge steel.

Shelves: 12 gauge steel.

Seat: 12" diameter one-piece formed of 14 gauge stainless steel with a 1 1/2" drop edge. Stainless steel mounting studs.

Color:

Grey powder coat.

Weight:

105 lbs.

Options:

Desk available without towel bar and/or seat on right side.
10 ga. stainless steel top. Prime coat.

Assembly:

Attach seat.

Installation:

Bolt to floor. Floor mounting hardware not included.

Warranty:

1 year limited replacement warranty.

Maintenance:

Easily cleaned with a damp cloth and mild soap solution.

Filing System:

12600 Institutional Furniture

11197 Correctional Furniture