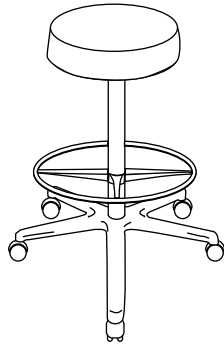
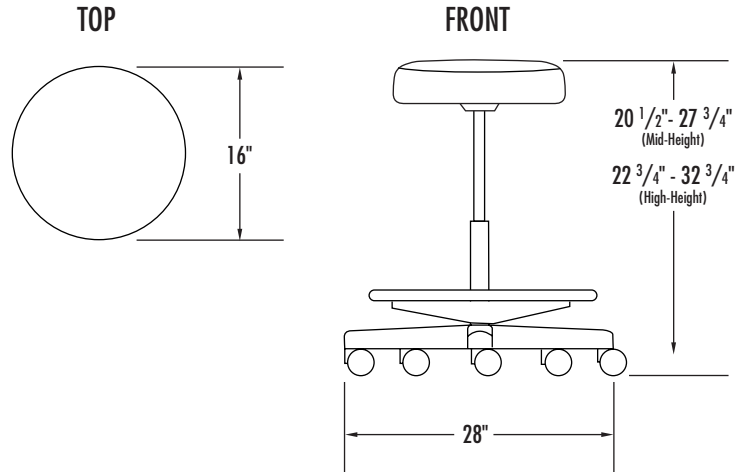


## CommandMaster<sup>®</sup> Round Stool



Model #: C183 (Mid-height)  
C184 (High-height)



### Overview

24/7 tough, durable adaptable seating with hand activated height adjustment. Mid-height and high-height for sit-stand applications.

### Material:

Base: Heavy duty cast aluminum with five legs. Casters: Choose for hard surface floors or carpeted areas. Easily replaceable on site.

Seat: 16 gauge steel seat pan covered with molded high resiliency foam and the specified fabric.

Fabric: 100% Nylon with DuPont Teflon<sup>®</sup> finish.

Footring: Adjustable height tubular steel footring (Model # C184 only).

### Flammability Test Standards:

Certified to pass the following flammability standards:

- State of California, Technical Bulletin No. 117, Sec. E
- UFAC Class 1. (Note: Flammability test reflect standardized laboratory test procedures and may not reflect results in actual fire conditions).

### Performance Test Standards:

- ANSI/BIFMA X5.1 2002 General Purpose Office Chairs.
- Standard fabric. Exceeds 600,000 double rubs.

### Color:

Base: Black epoxy powder coat.

Fabric: Buff, Fog Grey, Blue Grey, Plum, Teal, Forest, Navy, Black.

### Weight:

26 lbs.

### Assembly:

Easy, no tool assembly.

### Installation:

None required.

### Warranty:

Limited replacement warranty. Foam and fabric: 2 year.

Frame/Base: 10 year when used within weight limitations.

### Maintenance:

Clean as needed.

### Filing System:

12600 Institutional Furniture

11197 Correctional Furniture