

Overview

Dayroom/Dining table and seat combination. "Four-on-the-floor" bolt-down design provides stability without the need for the heavy steel of traditional tables. Engineered and suitable for continuous daily use in an institutional environment.

Fabrication:

Legs: The curved member that supports the top has a 10" radius bend to facilitate easy cleaning beneath the table. This curved piece is fully welded to a vertical steel tube that supports the seat. The top of the curved tubes and top of the seat tubes have fully welded 6" x 6" x 1/4" thick steel plates for mounting top and seats. Bottom of seat tube has a fully welded mounting plate inset. For free standing applications, the inset is threaded to accommodate a non-removable, skid resistant, adjustable glide with a 1/2" diameter stem. For bolt-down application, the inset has a hole for the fully enclosed tamper-resistant bolt-down system.

Material:

Base: 2 1/2" diameter, 14 gauge steel tubing.

Rectangular Stainless Steel Tops: 12 gauge with a 1 1/2" drop edge and reinforcing channels. Four threaded inserts for each leg. Steel - baked on factory applied epoxy powder coated finish. Stainless Steel - type 304.

Round Stainless Steel Top: 10 gauge, type 304 stainless steel with a 1 1/2" drop edge. Four stainless steel studs welded to the underside for attaching each leg.

Stainless Steel Quietcore[®] Top: Durable 18 gauge stainless steel top surface wrapped around sound deadening particle board core with embedded T-nuts. 1 1/4" edge profile.

Super Slammer Stone[®] Seats: 13" diameter high density color impregnated compression molded composite that is highly scratch and stain resistant. Four molded-in threaded inserts for superior metal-to-metal connection.

Stainless Steel Seats: 12" diameter one piece formed of 14 gauge steel with a 1 1/2" drop edge. Stainless steel mounting studs.

Color:

Base: Grey.

Stainless steel: #4 finish

Seat: Mulberry, Sawgrass, Pine Cone, Gloden Wheat, Lagoon, River Rock, Autumn Leaf, Mahogany, Raven, Stainless Steel.

Options:

Clear PVC leg protectors. Glides on Quietcore[®] top option only. Game tops (GT): Checkerboard available on Stainless Steel tops.

Assembly:

Secure legs to top. Attach seats.

Installation:

Fasten to floor. No installation required on free standing models. Concealed concrete expansion anchors included with bolt to floor option.

Warranty:

5 year limited replacement warranty.

Maintenance:

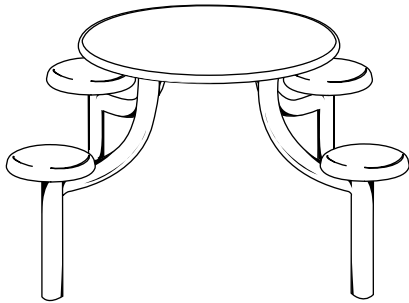
Easily cleaned with a damp cloth and a mild soap solution.

Filing System:

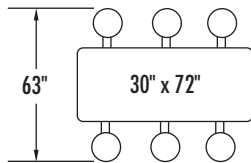
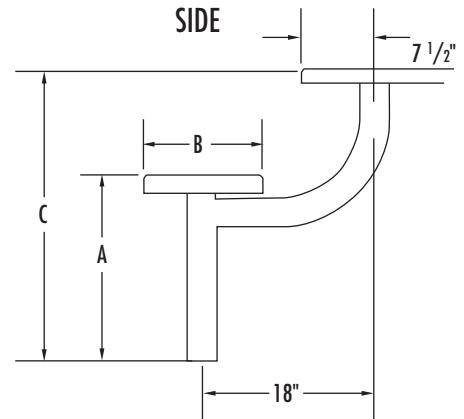
12600 Institutional Furniture

11197 Correctional Furniture

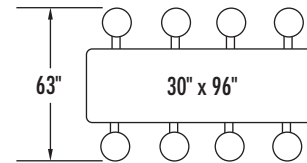
Continued on back.



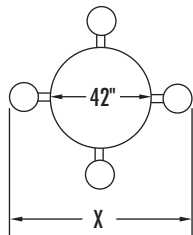
- A: 19 1/4" (Stainless Steel Seat)
- 19 3/4" (Super Slammer Stone Seat)
- B: 12" (Stainless Steel Seat)
- 13" (Super Slammer Stone Seat)
- C: 30 1/2" (Round Stainless Steel Top)
- 31 1/2" (Rectangular Top)
- 31 3/4" (Round Stainless Steel Quietcore Top)



Model #: EMX7233-6
(Stainless steel top)

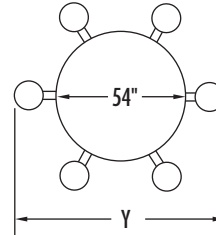


Model #: EMX9633-8
(Stainless steel top)



- X: 76" (Super Slammer Stone Seat)
- 75" (Steel Seat)

Model #: EMX4200-4 (Stainless steel Quietcore top with Super Slammer Stone seats)
EMX4204-4 (Stainless steel top with Super Slammer Stone seats)
EMX4205-4 (Stainless steel top with stainless steel seats)



- Y: 88" (Super Slammer Stone Seat)
- 87" (Steel Seat)

Model #: EMX5400-6 (Stainless steel Quietcore top with Super Slammer Stone seats)
EMX5404-6 (Stainless steel top with Super Slammer Stone seats)
EMX5405-6 (Stainless steel top with stainless steel seats)