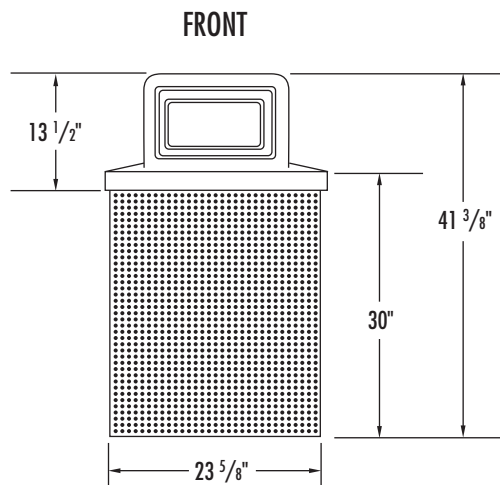


Model #: T080-00 (Trash Receptacle)
T080-10 (Trash Receptacle Liner)
T080-20 (Dome Top)
T030-00 (In Ground Mount)
T020-00 (Surface Mount)



Overview

All Hilltop Series products have been outdoor tested in the extremes of icy northern winters to the intense heat of the southwest to the salt air of the oceans. The machine perforated 14-gauge steel has a smooth UV-stabilized vinyl coating bonded to the steel that is impervious to both bad weather and rough use. Water drains through to eliminate corrosion and the coating keeps the product looking good.

Fabrication:

Body: Perforated steel sheet formed and welded to create a round, one-piece receptacle. The welded assembly is primed and dipped in a U.V. stabilized PVC. The trash receptacle is totally sealed against the elements and has a colorful finish.

Dome Top (Optional): Heavy gauge, polyethylene, roto-molded dome shaped top with swinging access door, designed to nest on top of the receptacle. Dome top has a flat on the top to allow for items (trays etc.) to be set on it.

Mounting Methods (Optional): In ground and surface mount. 2" O.D. steel tube with welded steel mounting plate.

Material:

Body: 14 ga. perforated steel sheet. Perforated with $\frac{3}{8}$ " dia. holes on $\frac{3}{4}$ " centers.

Dome Top: U.V. stabilized polyethylene with through and through color.

Mounts: 7 ga. mounting plate welded to 2" O.D. x .109 thick wall steel pipe.

Finish: U.V. stabilized PVC with primer

Color:

Taupe, Red, Blue, Dark Green, Brown.

Weight:

T080-00 (Trash Receptacle): 65 lbs.

T080-10 (Trash Receptacle Liner): 6 lbs.

T080-20 (Dome Top): 10 lbs.

T030-00 (In Ground Mount): 5 lbs.

T020-00 (Surface Mount): 5 lbs.

Options:

Dome top. Polyethylene liner.

Assembly:

None required.

Installation:

Required for surface and in ground mounting.

Warranty:

5 year limited replacement warranty.

Maintenance:

Easily cleaned with a damp cloth and a mild soap solution.

Filing System:

12600 Institutional Furniture

11197 Correctional Furniture