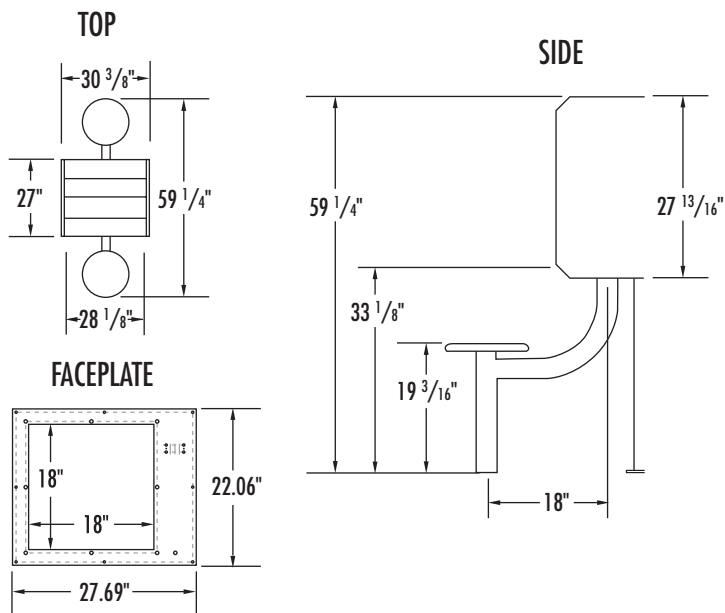


Model #: **SEK7S (Base Unit)**
SEK9S (Add On Unit)



Overview

Stainless steel back to back module with enclosed cabinet designed for secure housing of video and voice communications equipment (not included). Available as a single Base unit or with indefinitely ganged Add On units. Top surface and writing surface are sloped to discourage placement of drink cups. Engineered for institutional durability. Proven suitable for continuous daily use in a correctional or institutional environment for inmates and visitors.

Fabrication:

Cabinet, Divider Panels & Writing Surface: 12 gauge stainless steel. Writing surface, divider panels, cabinet top and face plate are securely connected with tamper resistant fasteners.

Legs and Seat Support: 10" radius curved portions of the legs support the top and for additional strength are fully welded to the vertical tubes that support the seats. The tops of the curved tubes and the tops of the seat support tubes are fully welded to 6" x 6" x 1/4" thick steel plates. The bottoms of the seat tubes are fully enclosed to conceal floor-mounting anchors.

Material:

Cabinet, Divider Panels & Writing Surface: 12 gauge #4 finish stainless steel with security fasteners.

Face Plate: 14 ga. #4 finish stainless steel. Monitor cut out includes 3/8" thick protective polycarbonate screen.

Legs: 3" diameter 14 gauge steel finished with black powder coat paint.

Seats: Option 1: Super Slammer Stone – 13" diameter high density color impregnated compression molded composite that is highly scratch and stain resistant.

Option 2: Stainless Steel – 14 gauge, type 304. One piece 12" diameter with 1 1/2" drop edge. #4 finish.

Color:

Cabinet, Divider Panels, Writing Surface & Face Plate: #4 finish stainless steel.

Seats: Mulberry, Sawgrass, Pine Cone, Golden Wheat, Lagoon, River Rock, Autumn Leaf, Raven, Stainless Steel.

Legs: Black powder coat.

Weight:

Varies by model. Contact factory.

Options:

Face plate cut out configuration can be customized to individual application.

Assembly:

Assembly required. Refer to manufacturers instructions.

Installation:

Anchor legs to floor using provided concrete expansion anchors.

Warranty:

5 year limited replacement warranty.

Maintenance:

Easily cleaned with stainless steel cleaner.

Filing System:

12600 Institutional Furniture

11197 Correctional Furniture