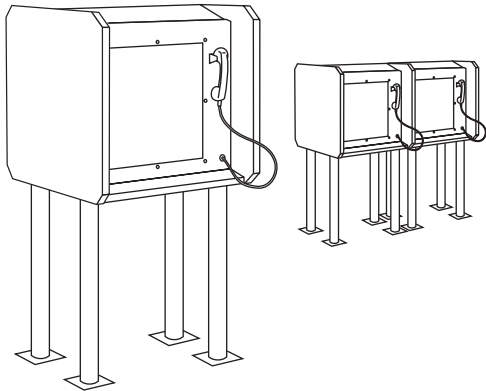




FURNITURE

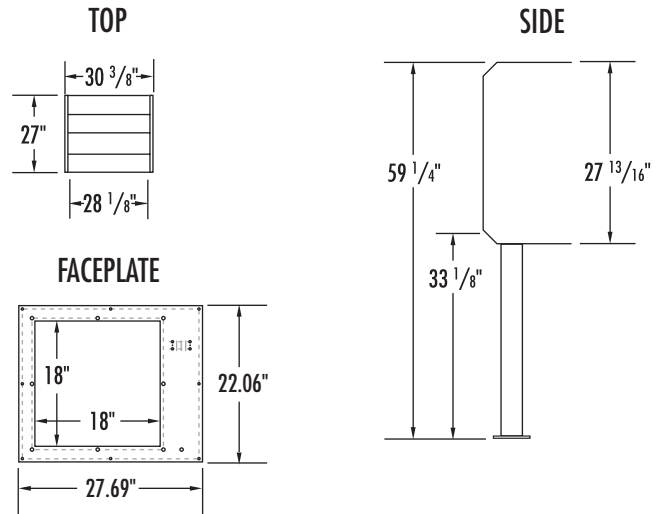
Extraordinary by Design™



* Handsets not included.

Model #: SEK7N (Base Unit)
SEK9N (Add On Unit)

IntelStation® Stainless Steel Enclosed Style Cabinet - Back to Back



Overview

Stainless steel back to back module with enclosed cabinet designed for secure housing of video and voice communications equipment (not included). Available as a single Base unit or with indefinitely ganged Add On units. Top surface and writing surface are sloped to discourage placement of drink cups. Engineered for institutional durability. Proven suitable for continuous daily use in a correctional or institutional environment for inmates and visitors.

Fabrication:

Cabinet, Divider Panels & Writing Surface: 12 gauge stainless steel. Writing surface, divider panels, cabinet top and face plate are securely connected with tamper resistant fasteners.

Legs: Fully welded steel tubes.

Material:

Cabinet, Divider Panels & Writing Surface: 12 gauge #4 finish stainless steel with security fasteners.

Face Plate: 14 ga. #4 finish stainless steel. Monitor cut out includes $\frac{3}{8}"$ thick protective polycarbonate screen.

Legs: 3" diameter 14 gauge steel finished with black powder coat paint.

Color:

Cabinet, Divider Panels, Writing Surface & Face Plate: #4 finish stainless steel.

Legs: Black powder coat.

Weight:

Varies by model. Contact factory.

Options:

Face plate cut out configuration can be customized to individual application.

Assembly:

Assembly required. Refer to manufacturers instructions.

Installation:

Anchor legs to floor using provided concrete expansion anchors.

Warranty:

5 year limited replacement warranty.

Maintenance:

Easily cleaned with stainless steel cleaner.

Filing System:

12600 Institutional Furniture
11197 Correctional Furniture