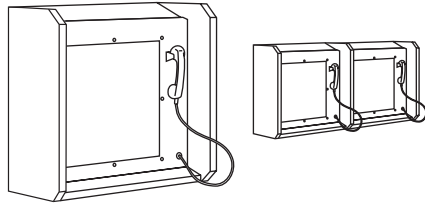


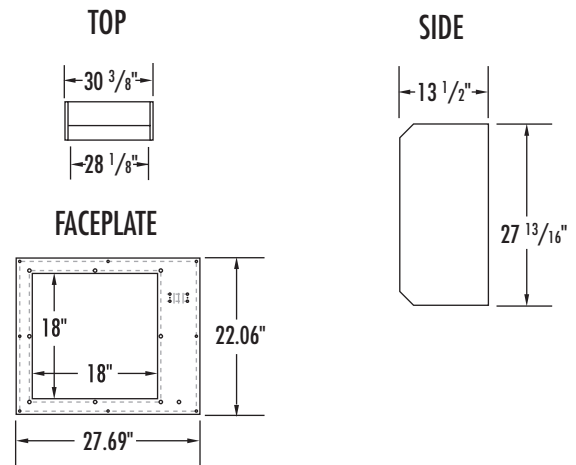
Extraordinary by Design™



\* Handsets not included.

Model #: SEW7N (Base Unit)  
SEW9N (Add On Unit)

## IntelStation® Stainless Steel Enclosed Style Cabinet - Wall Mount



### Overview

Stainless steel wall-mount module with enclosed cabinet designed for secure housing of video and voice communications equipment (not included). Available as a single Base unit or with indefinitely ganged Add On units. Top surface and writing surface are sloped to discourage placement of drink cups. Engineered for institutional durability. Proven suitable for continuous daily use in a correctional or institutional environment for inmates and visitors.

### Fabrication:

Cabinet, Divider Panels & Writing Surface: 12 gauge stainless steel. Writing surface, divider panels, cabinet top and face plate are securely connected with tamper resistant fasteners.

### Material:

Cabinet, Divider Panels & Writing Surface: 12 gauge #4 finish stainless steel with security fasteners.

Face Plate: 14 ga. #4 finish stainless steel. Monitor cut out includes  $\frac{3}{8}"$  thick protective polycarbonate screen.

Wall Mount Brackets:  $\frac{1}{4}"$  thick powder coated steel.

Wall Hanger: 10 ga. powder coated steel.

### Color:

Cabinet, Divider Panels, Writing Surface & Face Plate: #4 finish stainless steel.

### Weight:

Varies by model. Contact factory.

### Options:

Face plate cut out configuration can be customized to individual application.

### Assembly:

Assembly required. Refer to manufacturers instructions.

### Installation:

Attach furnished mounting bracket to wall and hang wall-mount unit on bracket. Secure unit to wall by anchoring through wall mount brackets. Anchors or bolts not included.

### Warranty:

5 year limited replacement warranty.

### Maintenance:

Easily cleaned with stainless steel cleaner.

### Filing System:

12600 Institutional Furniture

11197 Correctional Furniture