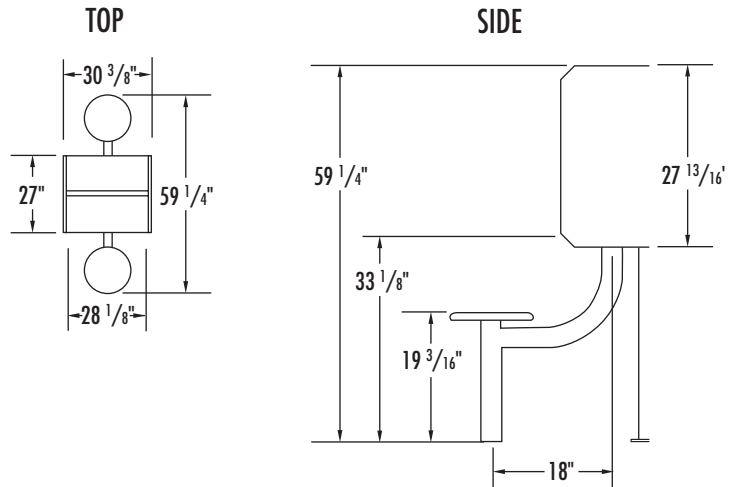


Model #: SBK7S (Base Unit)
SBK9S (Add On Unit)



Overview

Stainless steel back to back module with open cabinet designed for secure surface mounting of video and voice communications equipment (not included). Available as a single Base unit or with indefinitely ganged Add On units. Top surface and writing surface are sloped to discourage placement of drink cups. Engineered for institutional durability. Proven suitable for continuous daily use in a correctional or institutional environment for inmates and visitors.

Fabrication:

Surface Mount Panel, Divider Panels & Writing Surface: 14 gauge stainless steel surface mount panel. 12 gauge stainless steel divider panels and writing surface. Writing surface, divider panels and surface mount panel are securely connected with tamper resistant fasteners.

Legs and Seat Support: 10" radius curved portions of the legs support the top and for additional strength are fully welded to the vertical tubes that support the seats. The tops of the curved tubes and the tops of the seat support tubes are fully welded to 6" x 6" x 1/4" thick steel plates. The bottoms of the seat tubes are fully enclosed to conceal floor-mounting anchors.

Material:

Surface Mount Panel: 14 gauge #4 finish stainless steel with security fasteners.

Divider Panels & Writing Surface: 12 gauge #4 finish stainless steel with security fasteners.

Legs: 3" diameter 14 gauge steel finished with black powder coat paint.

Seats: Option 1: Super Slammer Stone – 13" diameter high density color impregnated compression molded composite that is highly scratch and stain resistant.

Option 2: Stainless Steel – 14 gauge, type 304. One piece 12" diameter with 1-1/2" drop edge. #4 finish.

Color:

Surface Mount Panel, Divider Panels & Writing Surface: #4 finish stainless steel.

Seats: Mulberry, Sawgrass, Pine Cone, Golden Wheat, Lagoon, River Rock, Autumn Leaf, Raven, Stainless Steel.

Legs: Black powder coat.

Weight:

Varies by model. Contact factory.

Assembly:

Assembly required. Refer to manufacturers instructions.

Installation:

Anchor legs to floor using provided concrete expansion anchors.

Warranty:

5 year limited replacement warranty.

Maintenance:

Easily cleaned with stainless steel cleaner.

Filing System:

12600 Institutional Furniture

11197 Correctional Furniture