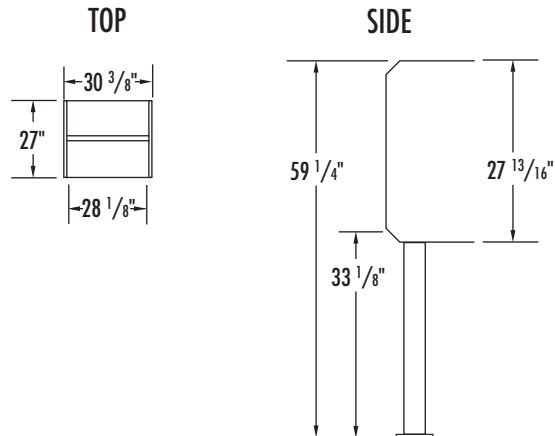


Model #: SBK7N (Base Unit)
SBK9N (Add On Unit)



Overview

Stainless steel back to back module with open cabinet designed for secure surface mounting of video and voice communications equipment (not included). Available as a single Base unit or with indefinitely ganged Add On units. Top surface and writing surface are sloped to discourage placement of drink cups. Engineered for institutional durability. Proven suitable for continuous daily use in a correctional or institutional environment for inmates and visitors.

Fabrication:

Surface Mount Panel, Divider Panels & Writing Surface: 14 gauge stainless steel surface mount panel. 12 gauge stainless steel divider panels and writing surface. Writing surface, divider panels and surface mount panel are securely connected with tamper resistant fasteners.

Legs: Fully welded steel tubes.

Material:

Surface Mount Panel: 14 gauge #4 finish stainless steel with security fasteners.

Divider Panels & Writing Surface: 12 gauge #4 finish stainless steel with security fasteners.

Legs: 3" diameter 14 gauge steel finished with black powder coat paint.

Color:

Surface Mount Panel, Divider Panels & Writing Surface: #4 finish stainless steel.

Legs: Black powder coat.

Weight:

Varies by model. Contact factory.

Assembly:

Assembly required. Refer to manufacturer's instructions.

Installation:

Anchor legs to floor using provided concrete expansion anchors.

Warranty:

5 year limited replacement warranty.

Maintenance:

Easily cleaned with stainless steel cleaner.

Filing System:

12600 Institutional Furniture

11197 Correctional Furniture