

**Model #: CUBE36LB (36" Wide)**

A: 36" (Inside)

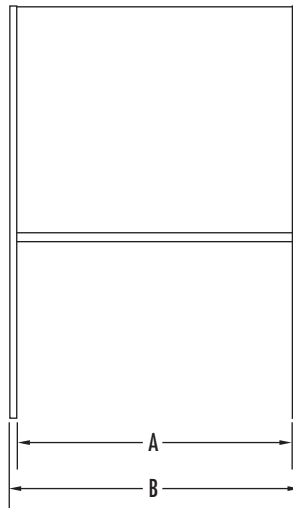
B: 38 1/2" (Outside)

**CUBE60LB (60" Wide)**

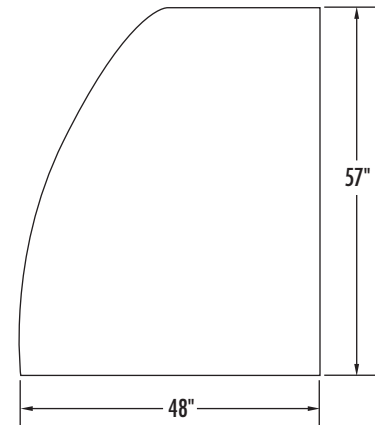
A: 60" (Inside)

B: 62 1/2" (Outside)

FRONT



SIDE



**Overview**

Three-sided privacy cubicles designed for surface mounting video and voice communications equipment (not included). Use for video visitation or study carrel. Engineered for institutional durability. Free standing on adjustable glides. Suitable for continuous daily use in a correctional or institutional environment for inmates and visitors.

**Fabrication:**

Bolt together.

Sides & Writing Surface: High-pressure laminate bonded to 45 lb. density particle board.

T-mold vinyl edges are glued around circumference for tamper-resistance and security. Panels connect with internal barrel bolts.

**Material:**

Sides & Writing Surface: Heavy-duty graffiti resistant laminate on 45 lb. density particle board.

Face Plate: 14 gauge black powder coated steel.

**Color:**

Sides & Writing Surface: Wilsonart Ebony Star black4552-90 textured Crystal finish.

Face Plate: Black powder coat.

Vinyl Edge: Black.

**Weight:**

Cube36: 295 lbs.

Cube60: 381 lbs.

**Assembly:**

Assembly required. Refer to manufacturers instructions.

**Installation:**

Set in place after assembly.

**Warranty:**

5 year limited replacement warranty.

**Maintenance:**

Easily cleaned with a damp cloth and a mild soap solution.

**Filing System:**

12600 Institutional Furniture

11197 Correctional Furniture