

Overview

Wall-mount or floor-mount modules designed for secure housing of video and voice communications equipment (not included). Engineered for institutional durability. Suitable for continuous daily use in a correctional or institutional environment for inmates and visitors.

Fabrication:

Bolt together. Wall-mount or floor-mount.

Tops and Divider Panels: High-pressure laminate bonded to 45 lb. density particle board.

T-mold vinyl edges are glued around circumference for tamper-resistance and security. Panels connect with internal barrel bolts.

Legs and Seat Support: 10" radius curved portions of the legs support the top and for additional strength are fully welded to the vertical tubes that support the seats. The tops of the curved tubes and the tops of the seat support tubes are fully welded to 6"x 6" x 1/4" thick steel plates. The bottoms of the seat tubes are fully enclosed to conceal floor-mounting anchors.

Material:

Sides & Writing Surface: Heavy-duty graffiti resistant laminate on 45 lb. density particle board.

Seats: Option 1: Super Slammer Stone — 13" diameter high-density color impregnated compression molded composite that is highly scratch and stain resistant.

Option 2: Stainless Steel — 14 gauge, type 304. One-piece 12" diameter with 1 1/2" drop edge. #4 finish.

Top & Face Plate: 14 gauge black powder coated steel attached with security fasteners. Monitor cut out includes 3/8" thick protective polycarbonate screen.

Legs: 3" diameter 14 gauge steel finished with black powder coat paint.

Divider Panels: Standard size ends at front edge. Optional extended version.

Color:

Tops and divider panels: Wilsonart Ebony Star black/white/grey pebble grain finish.

Legs and vinyl edge: Black.

Face plate and top access panel: Black powder coat.

Seats: Buff, Fog Grey, Blue Grey, Plum, Teal, Slate Blue, Mahogany, Black.

Weight:

Varies by model. Contact factory

Options:

Face plate cut out configuration can be customized to individual application.

Assembly:

Secure cable conduit (when applicable) and legs to top. Attach divider panels, faceplate, and access panel. Attach seats when specified.

Installation:

Attach wall-mount unit to wall using furnished mounting brackets.

Anchors or bolts not included. Anchor legs to floor using provided concealed concrete expansion anchors.

Warranty:

2 year limited replacement warranty.

Maintenance:

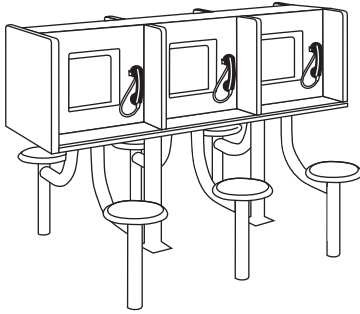
Easily cleaned with a damp cloth and a mild soap solution.

Filing System:

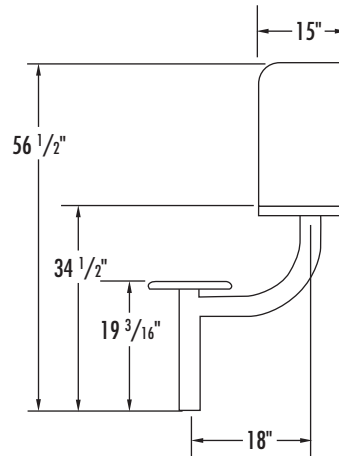
12600 Institutional Furniture

11197 Correctional Furniture

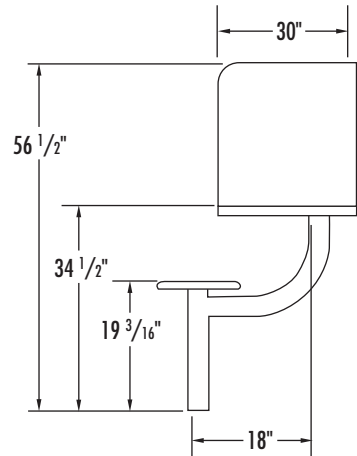
Continued on back.



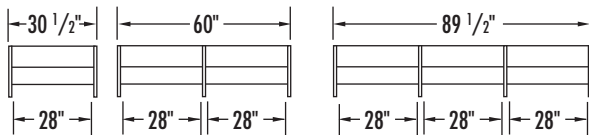
SIDE (LCD)



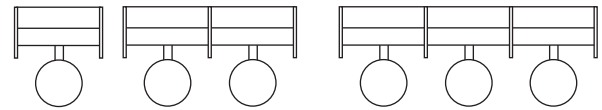
SIDE (CRT)



TOP



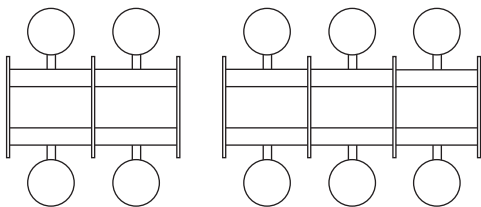
TOP



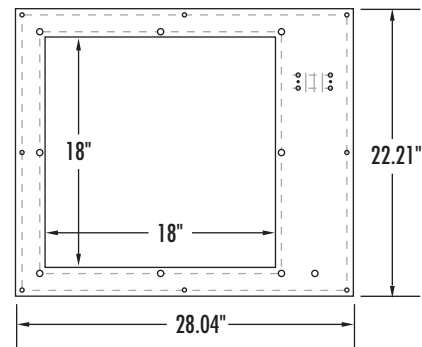
- Model #: WL81 (Wall mount LCD - 1 unit)
 WL82 (Wall mount LCD - 2 unit)
 WL83 (Wall mount LCD - 3 unit)
 WC81 (Wall mount CRT - 1 unit)
 WC82 (Wall mount CRT - 2 unit)
 WC83 (Wall mount CRT - 3 unit)

- Model #: WL1 (Wall mount with seat LCD - 1 unit)
 WL2 (Wall mount with seat LCD - 2 unit)
 WL3 (Wall mount with seat LCD - 3 unit)
 WC1 (Wall mount with seat CRT - 1 unit)
 WC2 (Wall mount with seat CRT - 2 unit)
 WC3 (Wall mount with seat CRT - 3 unit)

TOP



FACEPLATE



- Model #: FL4 (Floor mount with seat LCD - 4 unit)
 FL6 (Floor mount with seat LCD - 6 unit)
 FC4 (Floor mount with seat CRT - 4 unit)
 FC6 (Floor mount with seat CRT - 6 unit)