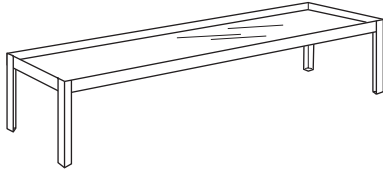
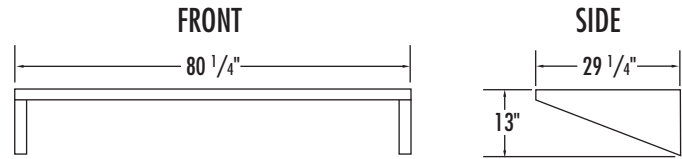
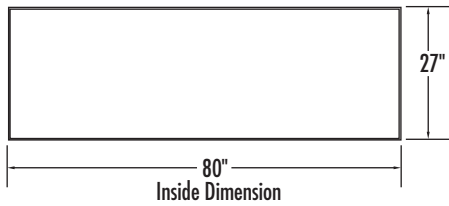


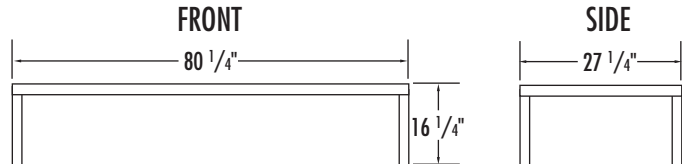
# Ironman<sup>®</sup> Welded Bunk System



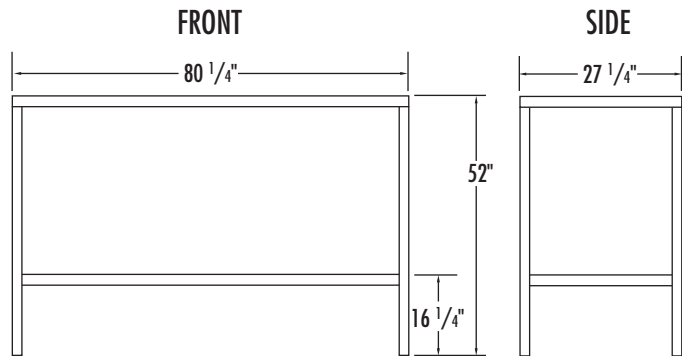
TOP - DOUBLE, SINGLE, WALL MOUNT



Model #: B510-300W (Wall Mount Single Bunk)



Model #: B510-100W (Single Bunk)



Model #: B510-200W (Double Bunk)

**Overview**

Extra heavy gauge bunks intended for use in cells and sleeping areas in correctional environments. Fully welded.

**Fabrication:**

Universal formed steel pan. Bunks have a baked on factory applied polyester powder coat finish.

**Material:**

Pan: 12 gauge steel. Standard size is 27" x 80"  
Legs: 2" x 2" x 3/16" standard angle with bolt down tabs.  
Floor mounting tabs are provided for bolting or welding to floor. Single leg is 16" high. Double leg is 52" high.  
Wall Mounted Bracket: 7 gauge steel.

**Color:**

Grey.

**Weight:**

B510-100 - Floor Mounted Single Bunk: 120 lbs.  
B510-200 - Floor Mounted Double Bunk: 260 lbs.  
B520-300 - Wall Mounted Single Bunk: 130 lbs.

**Options:**

Rail sets and locking hasps for property boxes. Steel drawers or open shelves. Towel Hooks. Mid Rail. Ladder. Safety Rail. Prime Coat. 10 gauge steel pan.

**Assembly:**

None required

**Installation:**

Weld or bolt unit to wall plates or bolt to floor.  
Floor and wall mounting hardware not included.

**Warranty:**

1 year limited replacement warranty.

**Maintenance:**

Easily cleaned with a damp cloth and mild soap solution.

**Filing System:**

12600 Institutional Furniture  
11197 Correctional Furniture