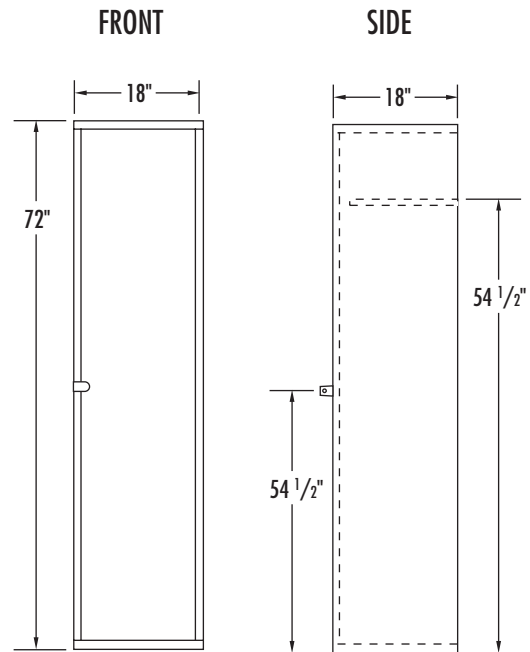


Model #: IWL-100-0001 (36" High)
IWL-100M-0001 (Mesh 36" High)



Model #: IFL-100-0001 (72" High)
IFL-100M-0001 (Mesh 72" High)

Overview

Durable locker ideal for trustee clothes storage or for use in property rooms. Integral vertical door jamb prevents doors from being pushed inward. Includes one fixed shelf and padlock hasp pull. 72" height model includes "J" channel hanging device for safety & security. Mesh locker allows for visual view inspections and ventilation. Pre-drilled for wall anchoring.

Fabrication:

All materials shall be new, free from corrosion, scale or other imperfections that may negatively affect appearance, durability or function. All steel shall meet or exceed ASTM A569-85 Standards.

Sides, back and shelves: 16 gauge

Door: 16 gauge

Door reinforcement: 20 gauge

Intermediate top and bottom: 16 gauge

Top and bottom: 16 gauge

Hasps and hinge reinforcements: 12 gauge

Hinge and "J" channel: 14 gauge, 2" hinge mounted on right, unless specified.

Finish:

Powder coat.

Color:

Grey

Weight:

IWL-100-0001: 72 lbs.

IWL-100M-0001 (Mesh): 69 lbs.

IFL-100-0001: 135 lbs.

IFL-100M-0001 (Mesh): 130 lbs.

Assembly:

Shipped assembled.

Installation:

Pre-drilled for wall anchoring. Anchors not supplied by Norix.

Warranty:

1 year limited replacement warranty.

Maintenance:

Standard household or commercial cleaners.

Filing System:

11190 Detention Furnishings

10500 Metal Wardrobe Lockers