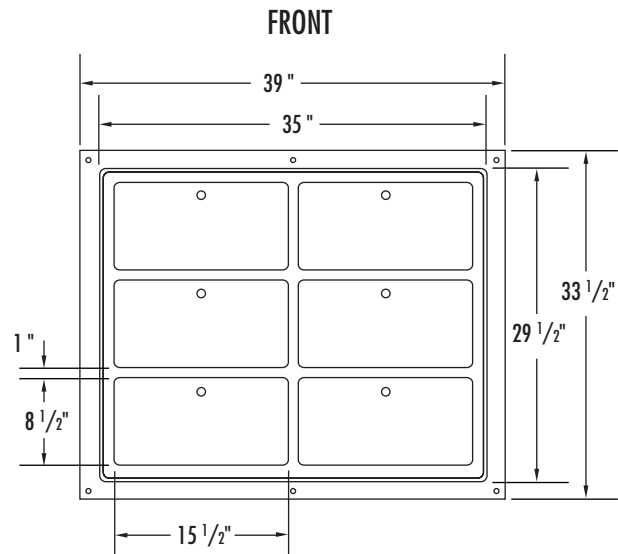


Model #: IPL-600 (Surface Mount)



Overview

Tilt out, self-locking storage for hand guns when entering secure areas. Combinations of 3, 6 or 9 compartments.

Fabrication & Material:

Cut, formed, welded and ground smooth steel.

Body front and sides: 7 gauge steel.

Body back: 10 gauge steel.

Drawer fronts: 7 gauge steel.

Drawer sides and backs: 10 gauge steel.

Mounting flange: 2 x 2 x 3/16" steel.

Hinge: 14 gauge steel.

Compartment size is 15 1/2"W x 8 1/2"H x 5"D with individually keyed and master keyed pin tumbler snap lock. 2 keys per compartment, 2 master keys per locker. 1/8" thick felt lining in drawers.

Finish:

Specify powder coat or primed.

Weight:

IPL-600: 140 lbs.

Options:

3, 6 or 9 compartments. Primed painted. Recessed, surface mount or loose.

Assembly:

Shipped assembled.

Installation:

Norix only recommends its products to be attached to solid concrete surfaces. For all other applications consult your professional installer for proper attachment. Installation hardware not supplied by Norix.

Warranty:

1 year limited replacement warranty.

Maintenance:

Standard household or commercial cleaners.

Filing System:

11190 Detention Furnishings