

(Box and lid sold separately)

Overview

Property storage boxes for inmate records and/or personal possessions. Designed and engineered for institutional durability. Suitable for continuous daily use in a correctional environment.

Fabrication:

Full height molded-in vertical ribs every 1 1/4". 1/2" x 7/8" top flange provides maximum strength and rigidity. Capable of nesting for stable stacking.

Material:

Injection molded from structural polyethylene. 100% recyclable.

Flammability:

Certified to pass the following flammability standards:

- State of California, Technical Bulletin No. 133, Flammability Test Procedure for Seating Furniture for Use in Public Occupancies.

Quality & Testing Standards, conforms to:

- Minimum sustained static load of 3000 lbs. for four hours.

Color:

Raven.

Weight - Box:

PB150 (Legal/Letter): 9.5 lbs.

PB200 (Standard): 9 lbs.

PB300 (Large): 12 lbs.

PB350 (Extra Large): 22.5 lbs.

Weight - Lid:

PBL401: 3.5 lbs.

PBL400: 4 lbs.

PBL400: 4 lbs.

PBL402: 8 lbs.

Options:

Sliding lid. Under bunk rail sets.

Assembly:

None required.

Installation:

None required.

Warranty:

5 year limited replacement warranty.

Maintenance:

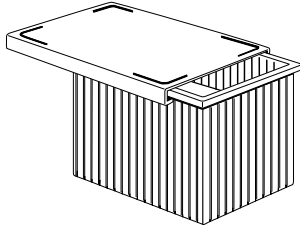
Easily cleaned with a damp cloth and mild soap solution.

Filing System:

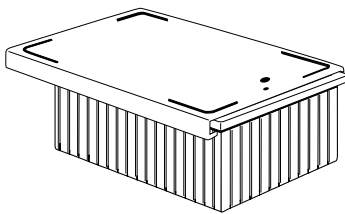
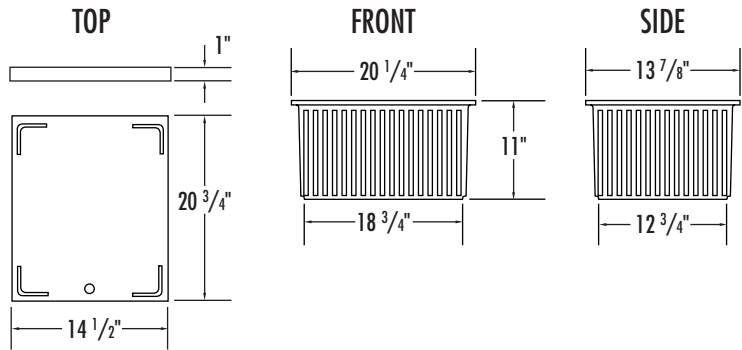
12600 Institutional Furniture

11197 Correctional Furniture

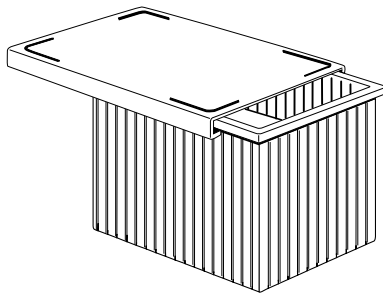
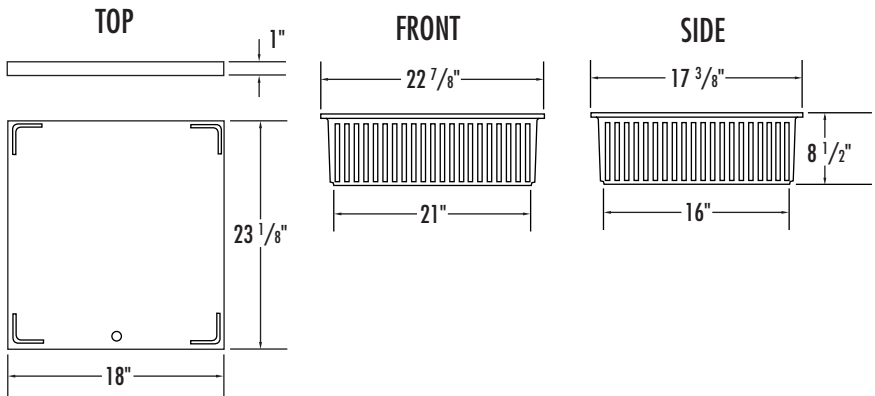
Continued on back.



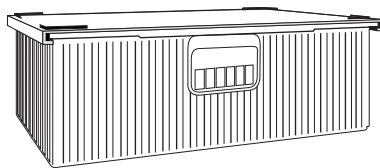
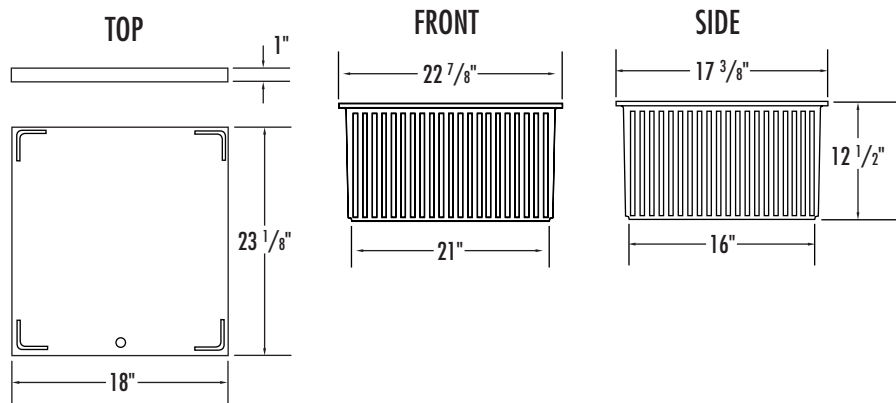
Model #: PB150 (Legal/Letter)
Inner Dimension:
 12"W x 18"L x 10"D



Model #: PB200 (Standard)
Inner Dimension:
 15 1/2"W x 20 1/4"L x 8"D



Model #: PB300 (Large)
Inner Dimension:
 15 1/4"W x 20 1/8"L x 11 5/8"D



Model #: PB350 (Extra Large)
Inner Dimension:
 32"W x 20 1/2"L x 10 5/8"D

