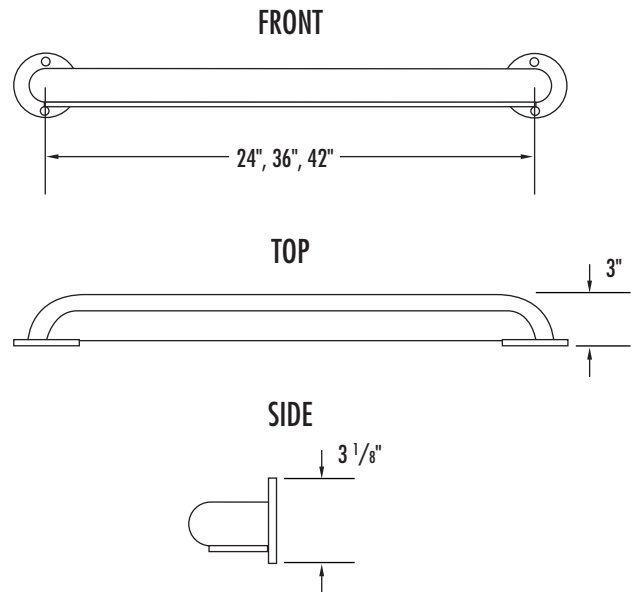


Model #: IGS-24 (24" Length)
IGS-36 (36" Length)
IGS-42 (42" Length)



Overview

A safety bar without an open tie-off gap between the bar and the wall.

Fabrication & Material:

3 1/8" dia. 11 gauge type 304 stainless steel flanges are heliarc welded to 1 1/2" O.D. 18 gauge seamless tube. Suicide resistant 11 gauge closure plate is also heliarc welded to edge between tube and wall.

Finish:

Brushed stainless steel.

Weight:

IGS-24: 3.7 lbs.
IGS-36: 5.2 lbs.
IGS-42: 5.9 lbs.

Options:

24", 36" and 42" lengths.

Assembly:

Shipped assembled.

Installation:

Use bar as template to locate mounting holes. Attach with furnished torx-head screws. Anchors by others.

Warranty:

1 year limited replacement warranty.

Maintenance:

Standard household or commercial cleaners.

Filing System:

11190 Detention Furnishings
10800 Toilet & Bath Accessories