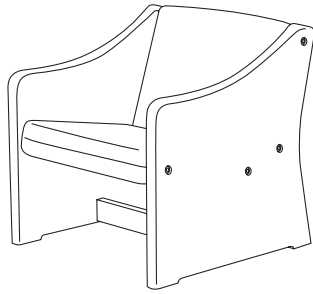
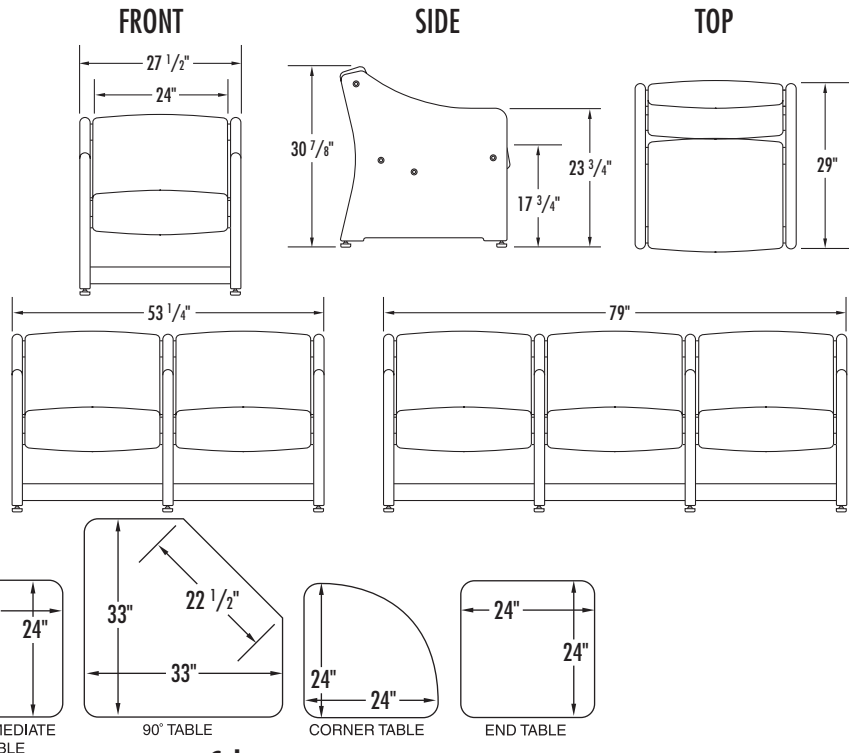


# Sierra Chair - Solid End Arm



**Model #:** C701-11  
C702-21 (2 Seat Group)  
C702-31 (3 Seat Group)

**Model #:** C711-11 (Intermediate Table)  
C711-21 (90 Degree Table)  
C711-31 (Corner Table)  
C711-41 (End Table)



## Overview

Sierra seating combines intensive-use performance with the residential look of natural wood. Ideal for lobbies, dayrooms, program rooms & common areas. Designed for and engineered for comfort, strength, durability and ease of maintenance in intensive-use environments. Patents pending.

## Fabrication & Materials:

Components of mixed materials assembled with heavy-duty, tamper resistant hardware. Components consist of:

**Cushion:** a non-absorbent vinyl exterior rotationally molded over a tubular steel frame — then filled with soft, polyurethane foam. Frame inside seat cushion is 2 1/4" diameter horizontal cross tubes structure of 14 gauge steel - to form a rigid interior framework and provide a secure means to connect cushions and end frames, and extend seating to two and three seat groupings.

**End frames:** 1 3/4" thick butcher-block red oak, rounded for safety, with sealer coat and satin finish coat to protect the wood. Non-removable nylon-bottom floor levelers inserted securely into the bottom of the end frames for added security.

**Connector tubes:** 2" diameter, 14 gauge steel, closed end tubes are inserted into the seat frame tubes to connect the components.

**Fasteners:** 1/2" tamper-resistant, Torx-head fastener bolts.

## Flammability Test Standards:

Certified to pass the following flammability standards:

- State of California, Technical Bulletin No. 133, Flammability Test Procedure for Seating Furniture for Use in Public Occupancies.

## Performance Test Standards:

- Meets or exceeds the requirements of ANSI/BIFMA X5.4-2005.

## Color:

**Seat:** Mulberry, Sawgrass, Pine Cone, Lagoon, Autumn Leaf, Raven.  
**Arms:** Natural Red Oak.

## Weight:

C701-11: 130 lbs.  
C702-21: 220 lbs.  
C702-31: 300 lbs.

## Options:

Intermediate, end and corner tables.

## Assembly:

Refer to manufacturers instructions for assembly.

## Installation:

None required.

## Warranty:

5 year limited replacement warranty.

## Maintenance:

Easily cleaned with a damp cloth and a mild soap solution.

## Filing System:

12600 Institutional Furniture  
11197 Correctional Furniture