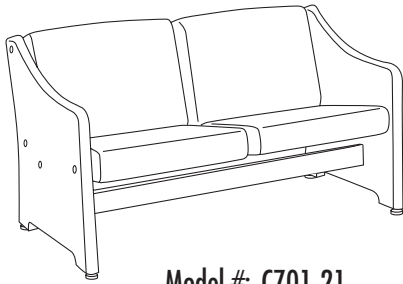
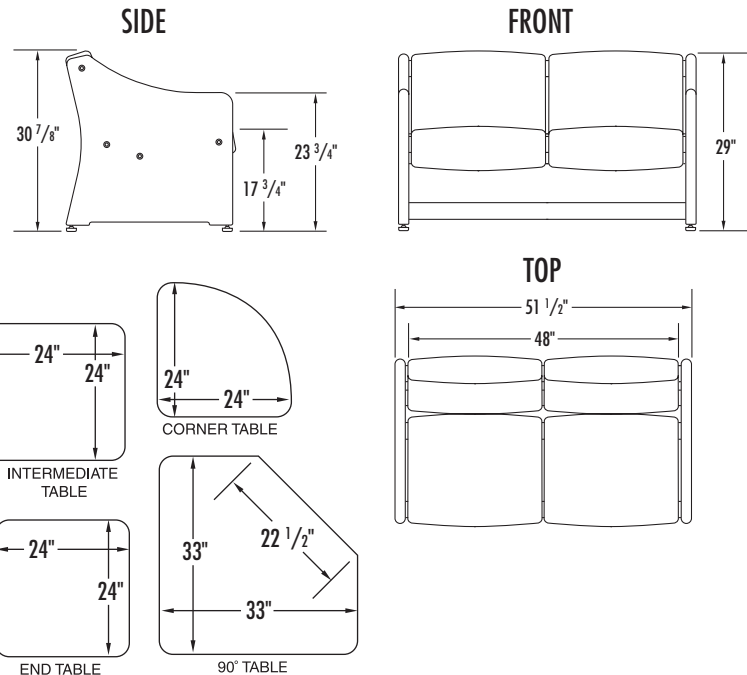


Sierra Love Seat - Solid End Arm



Model #: C701-21



Model #: C711-11 (Intermediate Table)
C711-21 (90 Degree Table)
C711-31 (Corner Table)
C711-41 (End Table)

Overview

Sierra seating combines intensive-use performance with the residential look of natural wood. Ideal for lobbies, dayrooms, program rooms & common areas. Designed for and engineered for comfort, strength, durability and ease of maintenance in intensive-use environments. Patents pending.

Fabrication & Materials:

Components of mixed materials assembled with heavy-duty, tamper resistant hardware. Components consist of:

Cushion: a non-absorbent vinyl exterior rotationally molded over a tubular steel frame — then filled with soft, polyurethane foam. Frame inside seat cushion is 2 1/4" diameter horizontal cross tubes structure of 14 gauge steel - to form a rigid interior framework and provide a secure means to connect cushions and end frames, and extend seating to two and three seat groupings.

End frames: 1 3/4" thick butcher-block red oak, rounded for safety, with sealer coat and satin finish coat to protect the wood. Non-removable nylon-bottom floor levelers inserted securely into the bottom of the end frames for added security.

Connector tubes: 2" diameter, 14 gauge steel, closed end tubes are inserted into the seat frame tubes to connect the components.

Fasteners: 1/2" tamper-resistant, Torx-head fastener bolts.

Flammability Test Standards:

Certified to pass the following flammability standards:

- State of California, Technical Bulletin No. 133, Flammability Test Procedure for Seating Furniture for Use in Public Occupancies.

Performance Test Standards:

- Meets or exceeds the requirements of ANSI/BIFMA X5.4-2005.

Color:

Seat: Mulberry, Sawgrass, Pine Cone, Lagoon, Autumn Leaf, Raven.
Arms: Natural Red Oak.

Weight:

200 lbs.

Options:

Intermediate, end and corner tables.

Assembly:

Refer to manufacturers instructions for assembly.

Installation:

None required.

Warranty:

5 year limited replacement warranty.

Maintenance:

Easily cleaned with a damp cloth and a mild soap solution.

Filing System:

12600 Institutional Furniture
11197 Correctional Furniture