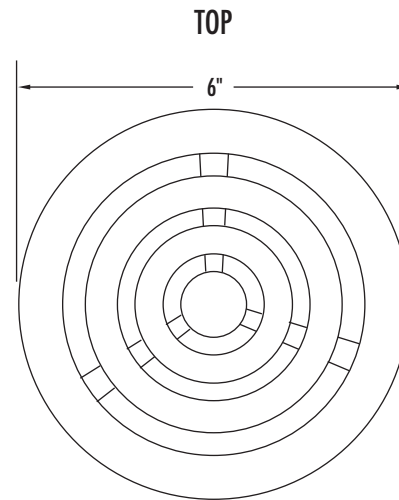


Model #: ISP-100



Overview

Round 6" diameter cast stainless steel talk thru design offers natural voice transmission with evenly spaced louvers. Level III bullet resistant.

Fabrication & Material:

Cast stainless steel.

Finish:

Brushed stainless steel.

Weight:

5 lbs.

Assembly:

Shipped assembled.

Installation:

Adjustable for .25" to 1.875" thick glass. Indicate glass thickness when ordering.

Warranty:

1 year limited replacement warranty.

Maintenance:

Standard household or commercial cleaners.

Filing System:

11190 Detention Furnishings