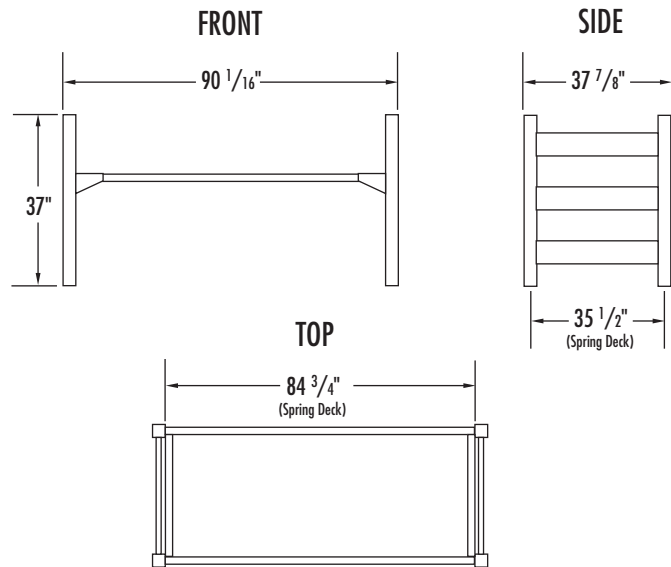


Model #: RK1612



Overview

Residential room furnishing designed and engineered specifically for critical environments. Tamarack™ Adjustable Bunkable Bed fits a standard 36" x 80" mattress.

Fabrication & Material:

Wood End Frames: 12 hardened steel dowel pins glued and permanently embedded in each 4" solid natural hardwood post provides 11 adjustment levels at 3" increments. Three 4 3/4" high cross members on each end frame are fastened with glued mortise and tennon. Security brace can be fixed to bed frame posts above steel spring bed deck with square head tamper resistant fasteners to prevent disassembly. Bed is bunkable with 3/8" x 3" steel dowel pins that connect top and bottom bed frames before being secured by a 10 gauge angle iron brace with square head tamper resistant fasteners. 2 Drawer Chest (Model #RK7122) fits under bed and is sold separately. Non-mar floor glides are standard.

Spring Deck: Sinuous wire with ends hooked for attachment to steel side rails. End helical springs are high carbon wire, tightly wound. Steel frame is high carbon angle iron.

Finish:

Catalyzed vinyl sealer coat plus catalyzed varnish top coat for wear resistance.

Color:

Oak, Cherry

Options:

Bunking kit.

Weight:

130 lbs.

Assembly:

Attach end frames to bed deck by inserting bed deck hook in end frame channel and pressing down firmly. Shipped K.D.

Installation:

None required.

Warranty:

5-year limited replacement warranty for defects in materials and workmanship. Wood is a natural material subject to unique variations. Norix does not warranty the matching of color, grain or texture.

Maintenance:

Easily cleaned with normal household wood care products.

Filing System:

12600 Institutional Furniture
11197 Correctional Furniture