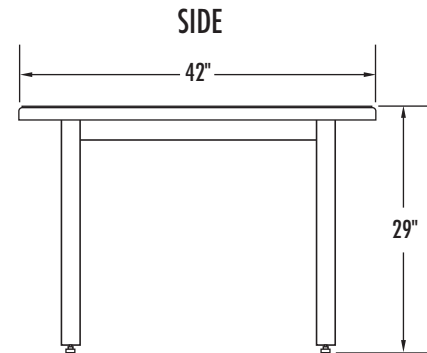
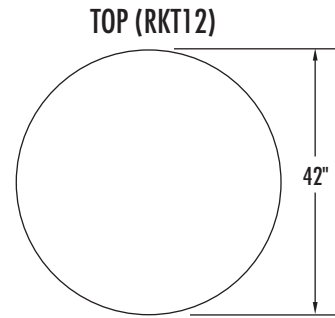
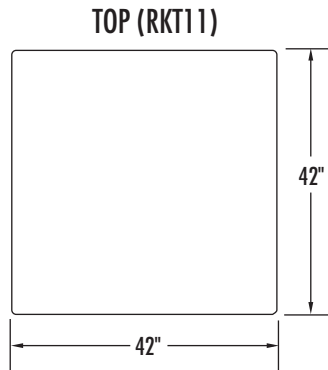


Model #: RKT11 (Square)
RKT12 (Round)



Overview

Residential wood table designed and engineered specifically for critical environments. The Tamarack™ Leg Style Table features Dura-Ply™ construction and built in safety and security features.

Fabrication & Material:

1 1/2" plywood top with rounded solid wood edges. High-pressure laminate top surface for enhanced wear resistance and cleanability. 1 3/4" hardwood legs joined to top with tamper-resistant fasteners connected to embedded T-nuts, for a secure steel-to-steel connection. Adjustable non-mar floor glides are standard.

Finish:

Catalyzed vinyl sealer coat plus catalyzed varnish top coat for wear resistance.

Color:

Oak, Cherry

Weight:

RKT11: 68 lbs.
RKT12: 56 lbs.

Assembly:

Refer to manufacturers instruction.

Installation:

None required.

Warranty:

5-year limited replacement warranty for defects in materials and workmanship. Wood is a natural material subject to unique variations. Norix does not warranty the matching of color, grain or texture.

Maintenance:

Easily cleaned with normal household wood care products.

Filing System:

12600 Institutional Furniture
11197 Correctional Furniture