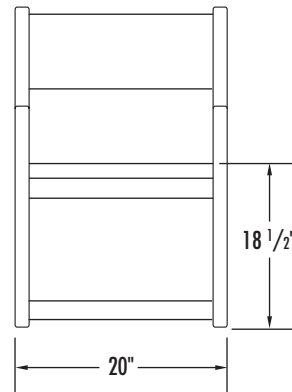
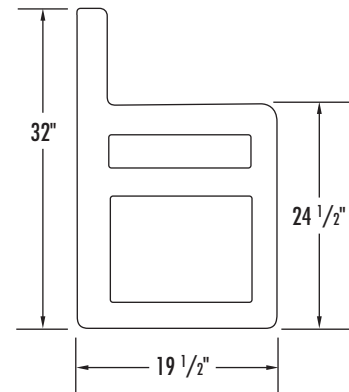


FRONT



SIDE



Model #: RKC420 Arm Chair

RKC420UF Arm Chair - Fabric Seat & Back

RKC420UV Arm Chair - Vinyl Seat & Back

RKC420UC Arm Chair - Crypton[®] Seat & Back

Overview

Residential room furnishing designed and engineered specifically for critical environments. The Tamarack™ Sled Based Chairs are designed to coordinate with Tamarack Series desks and tables. Available in solid wood or upholstered seat and back (fabric, vinyl or Crypton[®]).

Fabrication & Material:

1" thick and 2 3/4" wide solid hardwood frame with rounded edges for safety and security. Securely doweled and glued at strategic locations.

Finish:

High performance clear conversion lacquer.

Color:

Oak, Cherry

Grade A: Sherpa & Shire Fabric: Sherpa Autumn, Sherpa Maroon, Sherpa Navy, Sherpa Billiard, Shire Marigold, Shire Fossil, Shire Titan Blue, Shire Espresso.

Grade B: Silvertex Vinyl: Celery, Marine Blue, Blackberry, Sage, Chestnut, Sapphire, Mocha, Carbon.

Grade C: Crypton: Moxie Harvest Mix, Twirl Eucalyptus, Stargaze Burgundy, Tom's Garden Marigold, Domaine Blue, Moxie Indigo Mix, TV Land Surfside, Twirl Mica.

Options:

Upholstered Fabric, Vinyl or Crypton[®] TB117 flammability standard upgradeable to TB133.

Weight:

29 lbs.

Assembly:

Shipped assembled.

Installation:

None required.

Warranty:

5-year limited replacement warranty for defects in materials and workmanship. Wood is a natural material subject to unique variations. Norix does not warranty the matching of color, grain or texture.

Maintenance:

Easily cleaned with normal household wood care products.

Filing System:

12600 Institutional Furniture

11197 Correctional Furniture