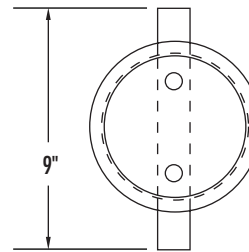
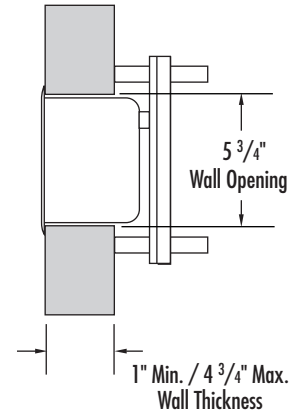


Model #: ITP-100 (Chase Mount)
ITP-110 (Front Mount)

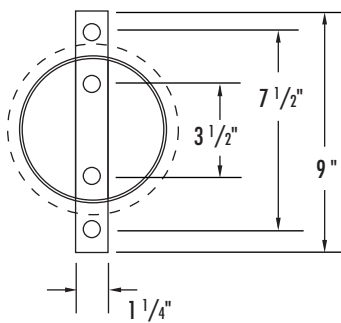
FRONT (ITP-100)



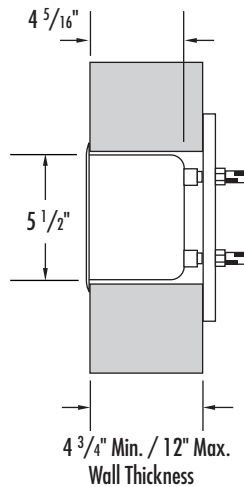
SIDE (ITP-100)



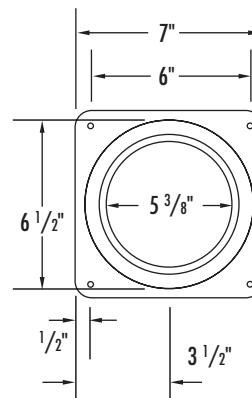
FRONT (ITP-100)



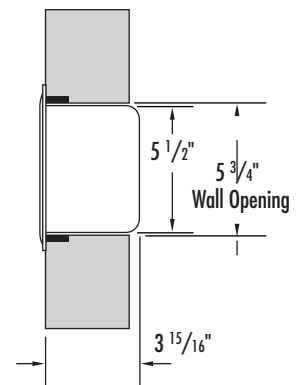
SIDE (ITP-100)



FRONT (ITP-110)



SIDE (ITP-110)



Overview

Recessed holder conveniently stores toilet paper without removable parts or protruding from wall

Fabrication & Material:

One-piece drawn 16 gauge type 304 stainless steel seamless well is welded to 14 gauge stainless flange to ensure tight fit to wall surface.

Finish:

ITP-100 (Chase Mount): Bead blasted satin finish.

ITP-110 (Front Mount): Bead blasted satin finish.

Weight:

ITP-100: 2.6 lbs.

ITP-110: 2.0 lbs.

Options:

Front or Chase Mount

Assembly:

Shipped assembled.

Installation:

ITP-100 (Chase Mount): Back of holder has welded anchor nuts to receive threaded studs (provided). Back plate of 11 gauge die-formed galvanized steel, reversible for shallow or deep wall installation.

ITP-110 (Front Mount): Norix only recommends its products to be attached to solid concrete surfaces. For all other applications consult your professional installer for proper attachment. Installation hardware not supplied by Norix.

Warranty:

1 year limited replacement warranty.

Maintenance:

Standard household or commercial cleaners.

Filing System:

11190 Detention Furnishings

10800 Toilet & Bath Accessories