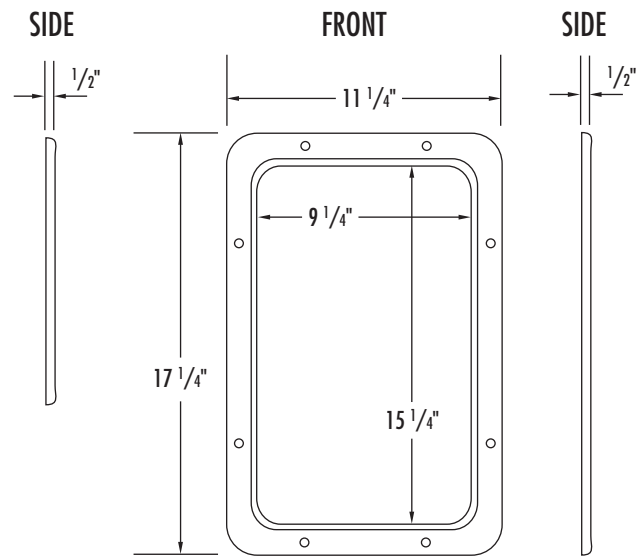


Model #: R565-410



Model #: R565-411

Overview

One-piece stamped stainless steel mirror. Engineered and suitable for continuous daily use in a correctional environment.

Fabrication:

One-piece stamping with raised frame.

Material:

18 gauge, type 430 stainless steel. Mirror surface highly polished.

Color:

#8 finish.

Weight:

R565-410: 1.4 lbs.

R565-411: 2.6 lbs.

Options:

Back mounting plate.
Available with embed.

Assembly:

None required.

Installation:

Norix only recommends its products to be attached to solid concrete surfaces. For all other applications consult your professional installer for proper attachment. Installation hardware not supplied by Norix.

Warranty:

1 year limited replacement warranty.

Maintenance:

Easily cleaned with a damp cloth and a mild soap solution.

Filing System:

12600 Institutional Furniture

11197 Correctional Furniture