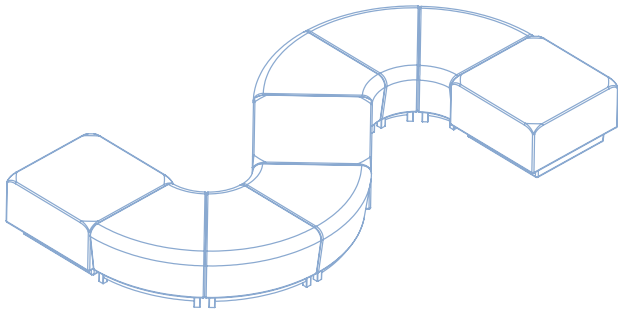


Hondo Nuevo®

Features and Benefits

Extreme Durability

- Seamless rotationally molded exterior skin
- Highly puncture resistant vinyl skin
- Heavy weight and optional ganging kit to discourage movement
- Tamper-resistant fasteners secure base to seat
- Non-removable floor protecting glides

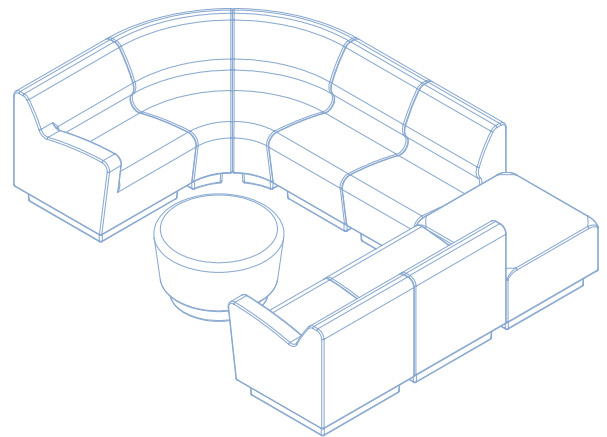


Engineered to Endure

- Meets or exceeds the requirements of ANSI/ BIFMA X5.4-2005
- Tested to 750 static load
- CAL TB133 compliant
- GREENGUARD and GREENGUARD Gold Certified by UL Environment.
- Product certified for low chemical emissions to UL 2818. UL.COM/GG
- Made in the USA

Infection Control

- Chemically resistant surface for greater infection control
- Fabricated drip edge for moisture management
- Easy to sanitize



Comfort and Style

- Ergonomically correct modern design
- Comfortable lumbar support
- Cushioned comfort of polyurethane foam filling
- Endless configurations for a flexible design
- Customize your look with three unique base options
- Choose from 5 durable seat colors