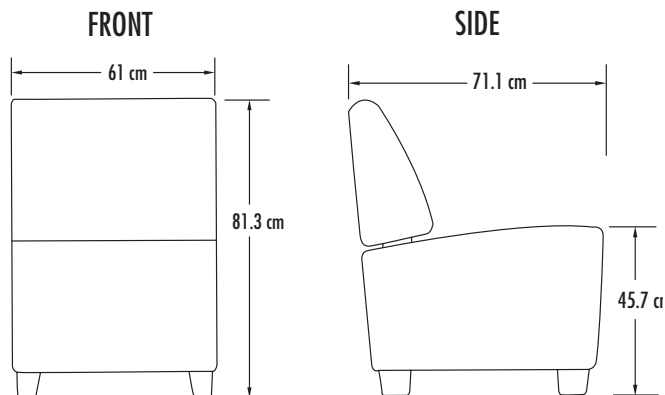


Model #: LB-1X



### Overview

The Harmony™ Series combines form and function to deliver the unique combination of exceptional durability and residential look. Harmony is both robust and attractive due to its internal steel frame, clean design lines and wide array of upholstery options. Ergonomic arms, generous seat width and cushioned support provide comfortable lounging and easy egress. Harmony is engineered to endure and proven suitable for daily use in challenging environments.

### Fabrication & Material:

**Frame:** The Harmony Series is built around a robust fully welded steel frame for maximum strength and durability.

**Cushions:** Polyurethane foam is glued to high strength plywood and connected to a tamperproof steel frame. 1 kg high density polyurethane foam in both the seat and back provides longevity and support in high traffic applications. Upholstery is available in a wide selection of fabrics while steel plate encloses the bottom and tamper resistant fasteners provide reinforced security.

**Feet:** Injection molded nylon feet are engineered for strength and to protect floors. Made in the U.S.A.

### Performance Test Standards:

- Meets or exceeds the requirements of ANSI/BIFMA X5.4-2012
- Tested to 454 kg static load.
- Product dynamic drop tested to a relative impact force of two times BIFMA 5.4 15.4.2 (226 kg from 45.7 cm)

### Environmental Test Standards:



GREENGUARD and GREENGUARD Gold Certified by UL Environment. Product certified for low chemical emissions to UL 2818. UL.COM/GG.

### Color:

Nylon Feet: Raven, Taupe

### Weight:

76 lbs

### Options:

Seats and backs are available in different fabrics. Upholstered flammability standard upgradeable to TB133.

### Upholstery:

View our upholstery selections at [www.norix.com/fabrics](http://www.norix.com/fabrics). Fabric Grade Levels: Grade A, Grade B, Grade C, Grade D, Grade E, Grade F, Grade G, Grade H, COM.

### Assembly:

None required

### Installation:

None required

### Warranty:

5 year limited replacement warranty; lifetime structural warranty on internal steel frame. Refer to Norix Terms and Conditions for details.

### Maintenance:

Refer to upholstery manufacturer's cleaning instructions for specific fabrics.

### Filing System:

12600 Institutional Furniture

11197 Correctional Furniture