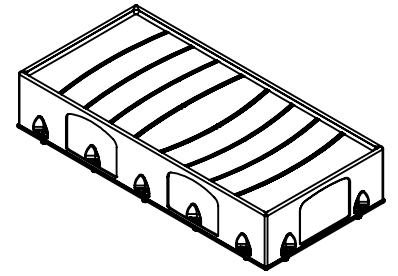


Restraint Ring/Glides Kit With Enclosure Plate Assembly Instructions

Model Number
ATN101-XXX.3



www.norix.com • TEL 800 234-4900

Assembly Notes: Norix is not responsible for any damage due to improper installation. If your shipment does not match the parts list, please contact Norix Customer Service at 800-234-4900. Norix reserves the right to modify design specifications at any time without an obligation to owners of previously sold products.

PARTS LIST			
ITEM NO.	PART NUMBER	QTY	DESCRIPTION
A	001-350	1	Plate, Enclosure, Attenda Bed, 84.50" X 40.50"
B	025-010	14	Nut, Hex, 5/16-18 Steel, Zinc
C	025-006	14	Washer, Lock, Split, 3/8, Zinc
D	029-021	14	Nut, Barrel 5/16"-18 X 0.75"L, BH, Pin in Torx® T45, SST
E	029-132	6	Ring, Restraint, Solid Bolt Down, (Optional)
F	026-002	14	Washer, Fender, 11/32" ID x 1-1/4" OD x .050 Zinc
G	029-022	8	Glide 5/16"-18 X 1.5" Hex Collar Stem
H	029-940	6	Glide 5/16"-18 X 2" Hex Collar Stem
I	025-009	8	Washer, Flat, 3/8"

Tools Needed
T40 Driver
T45 Driver
1 1/32" Drill Bit

1. Place the bed on a protected surface, with the bottom facing upward. Place the Enclosure Plate (**A**) on the bed. Mark 14 positions through the holes in each of pockets.

2. Using an 11/32" Drill Bit, drill the 14 holes in the Enclosure Plate.

NOTE: The Restraint Rings can be located in any position on the bed. however, recommended locations are shown in (**Fig.1**)

3. Install 6 Restraint Rings (**E**) in the pockets. Top of rings should point outward as shown (**Detail A**). Install 6 barrel nuts (**D**) through the restraint rings.

4. Glide assemblies **without** Restraint Rings are to be located at positions indicated by "A" (**Fig.1**). Restraint Ring/Glide assemblies should be located at "B" positions.

5. Assemble the components in the sequence shown in (**Fig.2**).

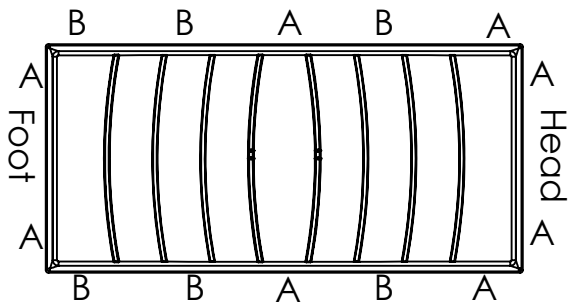
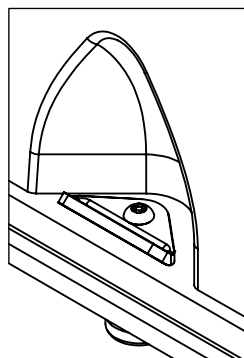


Fig.1

"A" Positions



Detail A

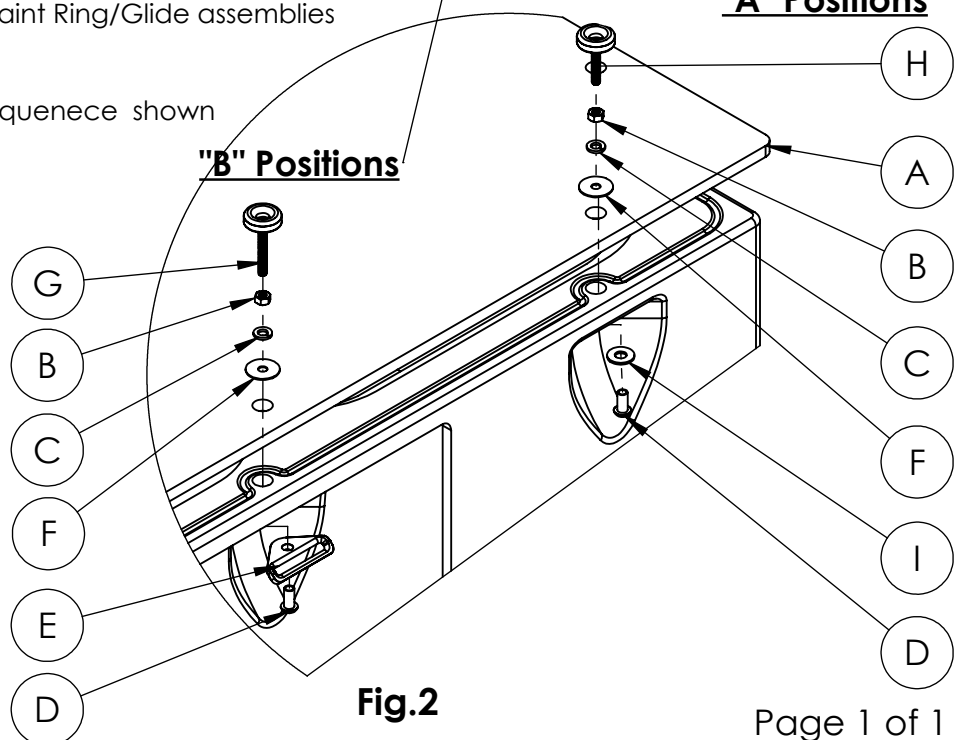


Fig.2

6. Maximum of 1/4" space between hex nut and Glide nut (Fig.3).

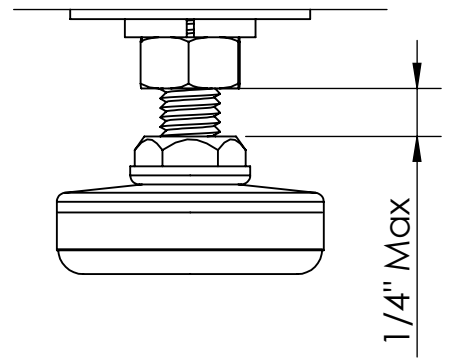


Fig.3

