

Assembly Notes: Norix is not responsible for any damage due to improper installation. If your shipment does not match the parts list, please contact Norix Customer Service at 800-234-4900. Norix reserves the right to modify design specifications at any time without an obligation to owners of previously sold products.

ITEM	QTY.	PART NUMBER	DESCRIPTION
A	1	ATN102-XXX	Bed Riser, Attenda
B	14	029-049	Sleeve, .75 OD x 1.96 L
C	14	029-021	Nut, Barrel 5/16"-18 X 0.75"L, BH, Pin in Torx® T45, SST
D	28	025-009	Washer, Flat, 3/8"
E	14	021-013	Screw 5/16"-18 X 3" BH, Pin in Torx®, T-40, Zinc, Thd. Lk
F	14	025-030	Lock Washer, 5/16", Split Black
G	6	011-022	Cap (for ballast option)
H	6	029-132	Ring, Restraint, Solid Bolt Down, (Optional)

Tools Needed
Variable Speed Drill
Hammer
T-27 Torx Driver
T-40 Torx Driver
T-45 Torx Driver
Drill Bits, 1/8", 3/8", 47/64"
Clamps

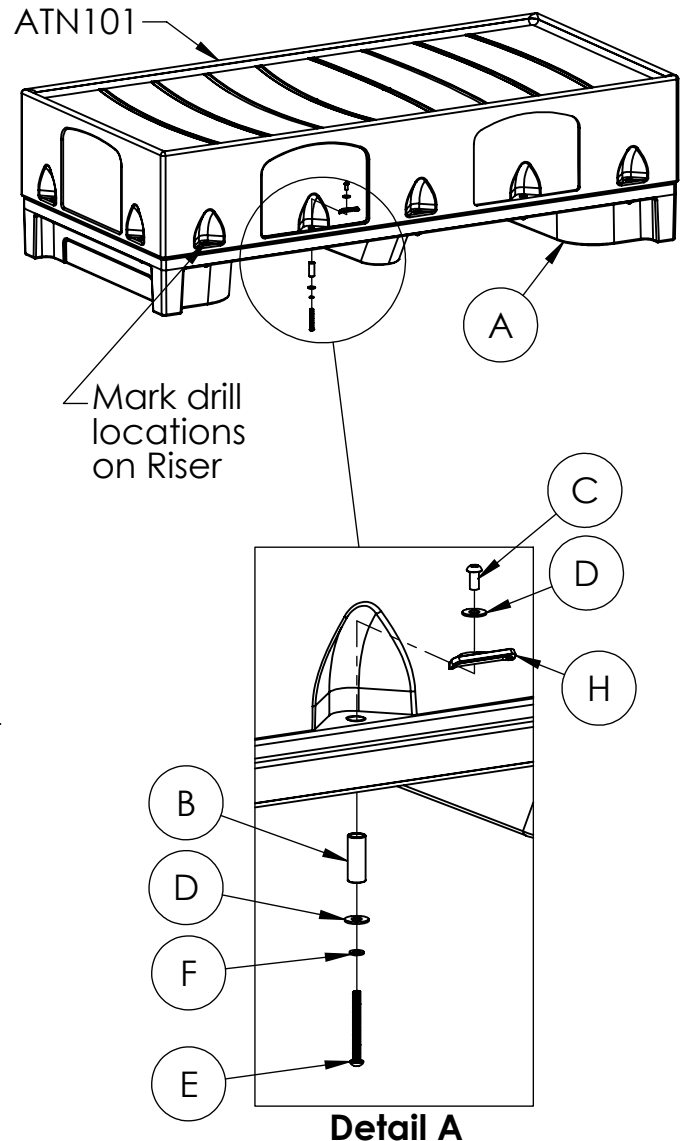
Note:

Riser can be used for **ATN100** and **ATN101** Beds. Procedure below is for **ATN101**. Procedure for **ATN100** is the same, except less Bed-to-Riser mounting hardware is needed.

Free-Standing Unit

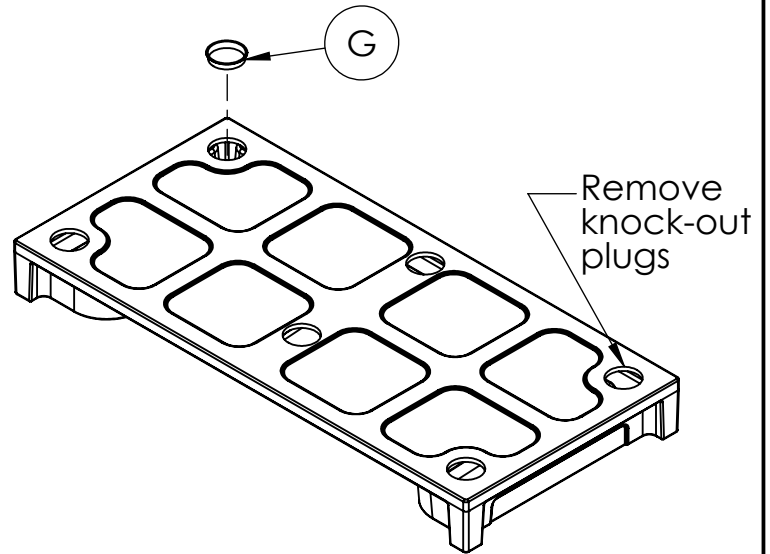
(for floor-mount and ballast options, see page 2):

1. Position the bed on top of the Riser (A), centering it in each direction, and temporarily clamp together to prevent the bed from shifting while marking the hole locations.
2. With a sharp marking pen, use the bed mounting holes to mark the drill locations on the top of the Riser.
3. Remove clamps and set the Bed aside.
4. Use a 1/8" dia. drill to drill pilot holes in the marked locations. Enlarge the holes with a 3/8" dia. drill bit. Finally, use a 47/64" drill bit to drill the final holes.
5. Position the bed on top of the Riser, aligning the mounting holes. Insert a Sleeve (B) from the bottom side. Insert a Barrel Nut (C) and Flat Washer (D) from the top of the hole, and a Screw (E), Lock Washer (F), and Flat Washer (D) from the bottom of the hole, as shown in Detail A. Tighten the hardware to finger-tight at this time. Repeat installation of the remaining hardware. After ensuring that the Bed is positioned in its final location on top of the Riser, tighten all hardware.



Ballast Option:

1. Ballast material can be placed inside the Riser. Remove the knock-out plugs with a hammer. Ballast should be placed in bags and inserted through the holes. 100 lbs. ballast is recommended. After ballast is in place, use Caps (G) to cover all open knock-out holes.
2. To install the Bed to the Riser, proceed to page 1, step 1.



Floor Mount Option:

1. Use a T-27 Torx driver to remove the (6) glides from the Riser and discard.
2. Using the (6) indents on the bottom, drill 1/2" dia. holes through the bottom wall.
3. Remove the (6) knock-out plugs with a hammer.
4. Set the Riser in its intended mounting location. While looking through the holes left by the knock-outs, use a sharp marking pen to mark the (6) anchor locations on the floor.
5. Set the Riser aside. Drill the holes in the floor for the (6) anchors. Vacuum any debris from the holes and floor. Install the (6) anchors into the floor, being careful not to damage the threads.
6. If caulk is to be used, apply to the bottom of the Riser. Set the Riser in place over the anchors. Install appropriate Hex Nuts and Washers onto the anchors.
7. To install the Bed to the Riser, proceed to page 1, step 1.

