

Assembly Notes: Norix is not responsible for any damage due to improper installation. If your shipment does not match the parts list, please contact Norix Customer Service at 800-234-4900. Norix reserves the right to modify design specifications at any time without an obligation to owners of previously sold products.

PARTS LIST

ITEM NO.	QTY	PART NUMBER	DESCRIPTION
1	1	002-013	Attenda, Restraint Ring Block
2	1	026-006	Washer, Flat 1 1/32 ID X 3/4 OD X 0.050, 18-8 SST
3	1	029-021	Nut, Barrel 5/16"-18 X 0.75"L, BH, Pin in Torx® T45, SST
4	1	029-162	Key, Removable Restraint Ring, Push-Lock Pin, Attenda
5	1	029-139	Ring, Attenda, Restraint, Solid, Removable
6	1	002-017	Attenda, Restraint Ring Push-Lock Pin, SS, Removable
7	1	002-019	Attenda, Restraint Ring Spacer, For Push-Lock Pin, Stainless Steel, Removable

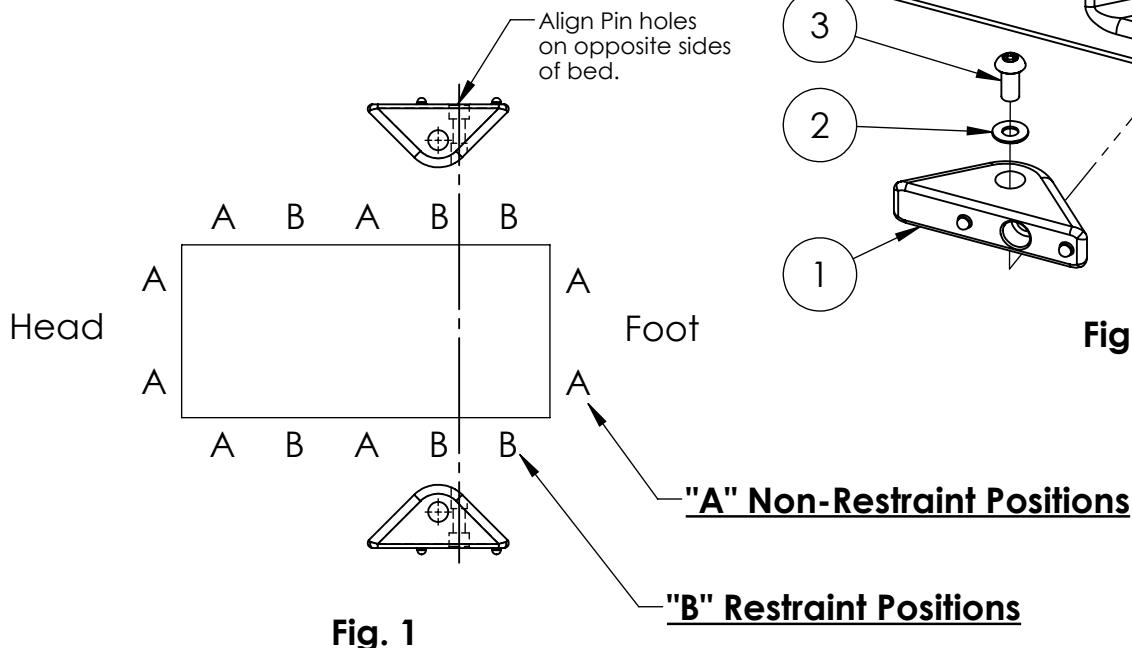
Tools Needed

Low RPM Variable Speed Drill
Torx Bit T45

Installation

NOTE: The Restraint Rings can be located in any position on the bed, however, recommended locations are shown in (Fig.1).

1. Apply thread lock to the internal threads on the Barrel Nut.
2. Assemble the parts as shown in (Fig. 2) for locations designated as B, attaching the Barrel Nut to the hardware or anchor coming from the bottom of the bed. Tighten the hardware securely. When positioning the Restraint Block on the opposite side of the bed, be sure to align the pin holes directly across the bed (see Fig. 1). This will ensure that the restraint straps are perpendicular to the bed.



Removable Restraint Ring Function

Locking

After the Restraint Ring Pin (6) and Ring (5) are assembled to the Restraint Block (1), push the Button on the Pin to lock (Fig. 4).

Unlocking and removal

Hold onto the Pin (6) while turning the key to prevent the Pin from turning.

To unlock, insert the key with the tooth on the key aligned with the slot on the Pin and turn slightly in either direction (Fig. 5).

Pull the Ring and Pin to remove from the Block.

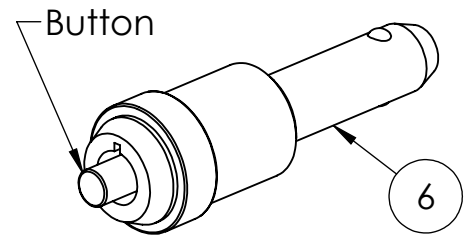


Fig. 3 Restraint Ring Pin

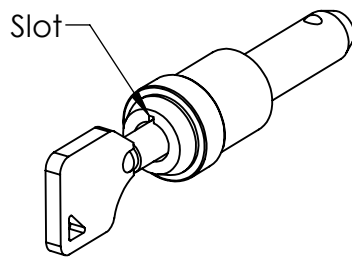


Fig. 5

To **unlock**, insert and turn the key in either direction.

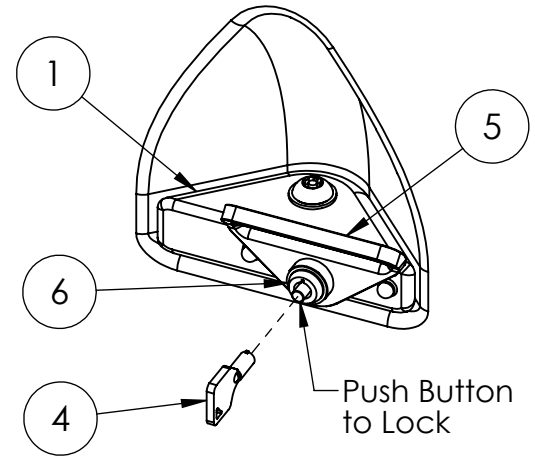


Fig. 4

Spacer

The optional Spacer (7) can be used in place of the Restraint Ring (5) if needed to fill the hole in the Block when the restraint is not in use. Insert the Pin and Spacer into the hole and push the Button on the Pin to lock.

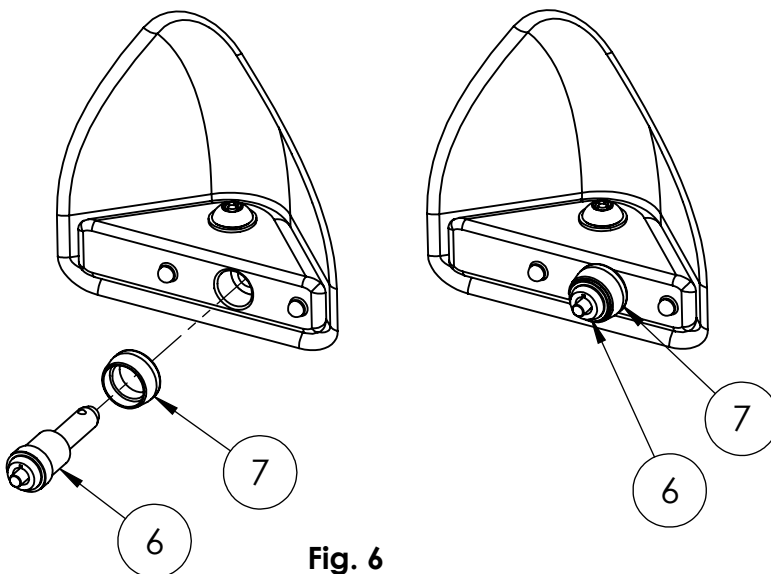


Fig. 6
Spacer

