

Assembly Notes: Norix is not responsible for any damage due to improper installation. If your shipment does not match the parts list, please contact Norix Customer Service at 800-234-4900. Norix reserves the right to modify design specifications at any time without an obligation to owners of previously sold products.

### PARTS LIST

ITEM	QTY	PART NUMBER	DESCRIPTION
A	1	ATN-140B-XXXX / ATN-145B-XXXX	SLEIGH BED
B	2	011-017	BOLT DOWN PLATE
C	1	011-018	SECURE BRACKET PLATE
D	8	021-083	SCREW 5/16-18 x .75 FH TAMPER RESISTANT ZINC

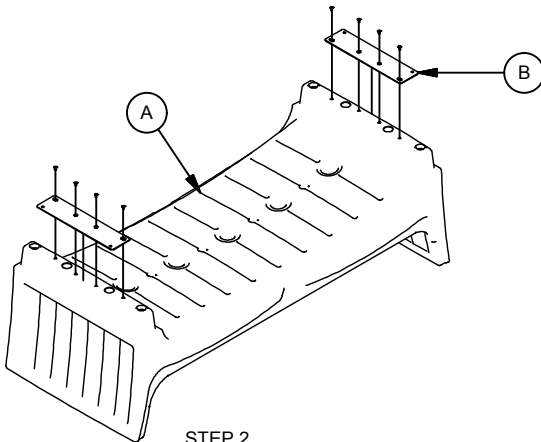
### Tools Needed

Low RPM Variable Speed Drill

1/4" Hex Driver

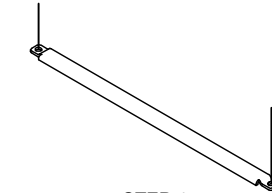
#### STEP 1

Prior to assembly - Open all packaging and confirm Parts List. Keep all parts on a protective surface during assembly. Be sure to hand start all screws to avoid cross-threading.



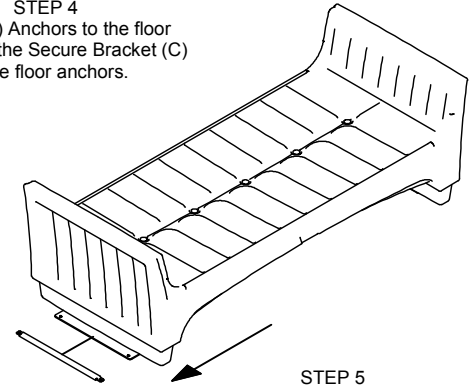
#### STEP 2

Turn the Sleigh Bed (A) upside down on a protective surface. Attach (2) Mounting Plates (B) on each end of Sleigh Bed with the countersink facing out using (8) 5/16 Flat Head screws



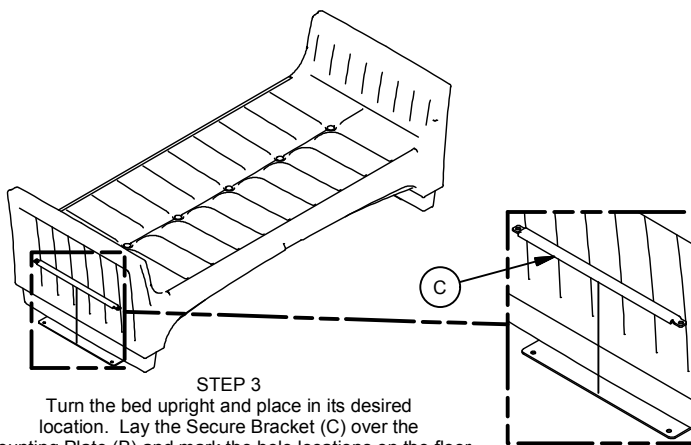
#### STEP 4

Install (2) Anchors to the floor and attach the Secure Bracket (C) to the floor anchors.



#### STEP 5

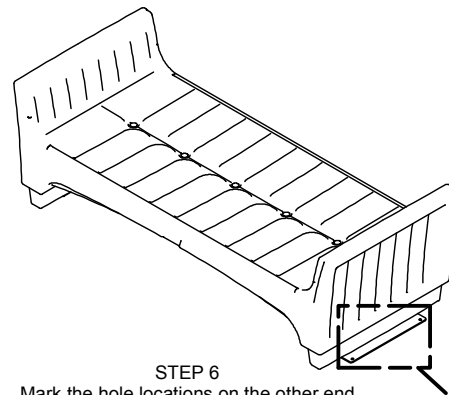
Slide the Mounting Plate (B) underneath the Secure bracket (C) until it is fully engaged.



#### STEP 3

Turn the bed upright and place in its desired location. Lay the Secure Bracket (C) over the Mounting Plate (B) and mark the hole locations on the floor.

**Note: If the bed is to be placed in a corner, you will have access to only one end of the Secure Bracket. Mark the nearest hole location and the move the bed aside to mark the other hole location.**



#### STEP 6

Mark the hole locations on the other end of the Sleigh bed (A) with the Mounting Plate (B). Move the bed aside and install the anchors in marked floor. Move the bed back into place, engaging the Secure Bracket at one end and securing the Mounting Plate to the anchors on the other end.

