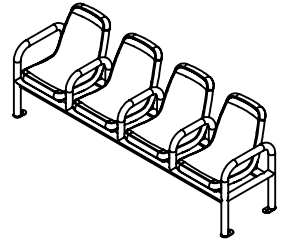


## Beam Seat - Boltdown Assembly Instructions



www.norix.com • TEL 800 234-4900

**Model Number**  
**C21X-XXXX; C22X-XXXX**

Assembly Notes: Norix is not responsible for any damage due to improper installation. If your shipment does not match the parts list, please contact Norix Customer Service at 800-234-4900. Norix reserves the right to modify design specifications at any time without an obligation to owners of previously sold products.

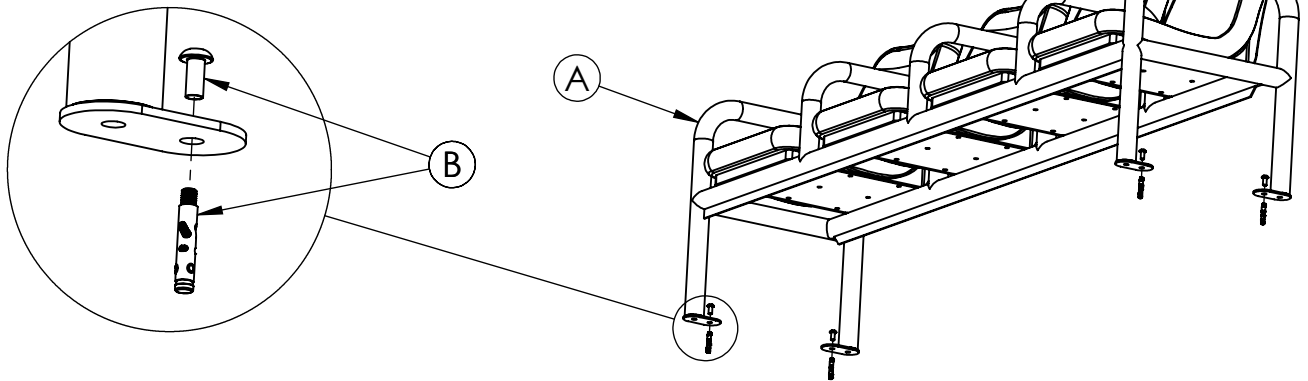
Parts List				Tools Needed
ITEM	QTY.	PART NUMBER	DESCRIPTION	Low RPM Variable Speed Hammer Drill
A	1		Beam Seating Bench w/Seats	
B	4	024-003	Anchor, Secure Bolt, 3/8" x 2-1/2"L, 5/16-18 Thread, Zinc	3/8" Concrete
				Shop Vacuum
				Hex Driver

### Step 1:

Place the Beam Seating Unit in the desired location. IF YOU ARE ALSO INSTALLING A CORNER TABLE, REFER TO AND FOLLOW THE DIRECTIONS INCLUDED WITH THE TABLE TOP AND MOUNTING HARDWARE!!!!!!

### Step 2:

Stabilize the unit by adjusting the bolt down tabs on each leg. Turn the bolt down tabs in a clockwise direction to raise (extend) the leg; Counter clockwise to lower the leg.



### Step 3:

Once the unit is stable, mark the locations on the floor where the anchors will be placed. Move the unit from the installation area.

### Step 4:

Using a concrete drill bit, anchor each leg by drilling a 2.5" deep hole at the marked location.

### Step 5:

Remove concrete dust in and around drill holes with vacuum for proper seating of the concrete anchor.

### Step 6:

Return the Beam Seat Unit to the installation location so that the anchors pass through the holes in the bolt down tabs.

### Step 7:

Using the insert bit, secure the anchor by tightening.