

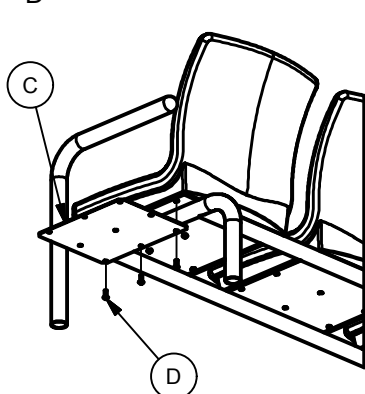
Assembly Notes: Norix is not responsible for any damage due to improper installation. If your shipment does not match the parts list, please contact Norix Customer Service at 800-234-4900. Norix reserves the right to modify design specifications at any time without an obligation to owners of previously sold products.

## Parts List

ITEM	QTY	DESCRIPTION	NORIX PART NO.
A1 / A2	1	Gibraltar - End Table / Corner Table	051-0120/051-0100
B	1	Gibraltar Leg	033-207
C	1	Gibraltar Table Adapter Plate	029-041
D	6 / 12	5/16-18 x 1" BH Screw	021-050
E	3 / 6	5/16-18 x 5/8" BH Screw	021-051
F	4	5/16-18 x 1-1/4" FH Screw	021-002

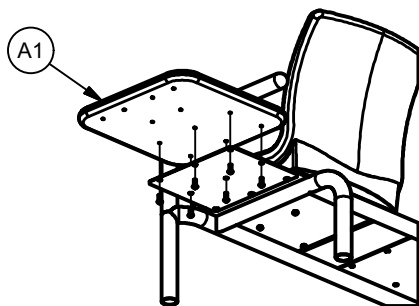
- Two people required for proper assembly.
- All Adapter Plates are interchangeable.

Tools Needed	Tools Needed
1/4" Hex Driver	Low RPM Variable Speed Drill



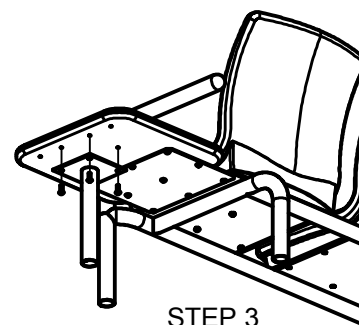
STEP 1

Remove (3) existing 5/16-18 x 5/8" BH Screws (E). Attach Table Adapter Plate (C) to Seat Frame using (3) 5/16-18 x 1" BH Screws (D).  
(For Corner Table, repeat on adjacent Seat Frame)



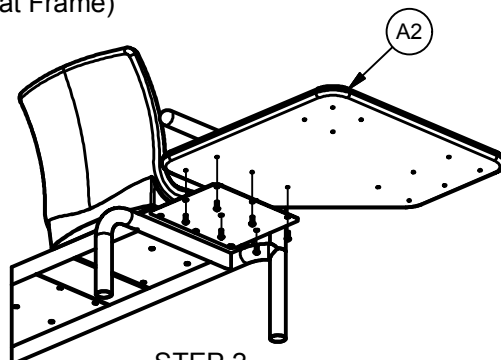
STEP 2

Attach Table (A) to Table Adapter Plate (C) using (6) 5/16-18 x 1" BH Screws (D).



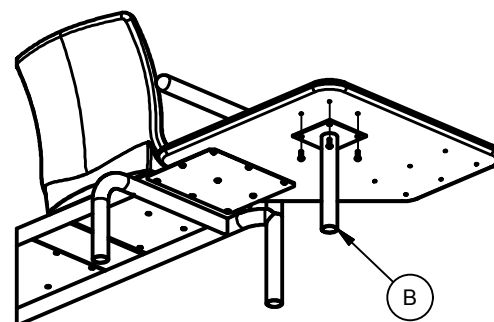
STEP 3

Attach Table Leg (B) to Table (A) using (4) 5/16-18 x 1-1/4" FH Screws (F).



STEP 2

Attach Table (A) to Table Adapter Plate (C) using (6) 5/16-18 x 1" BH Screws (D). Repeat for other Table Adapter Plate



STEP 3

Attach Table Leg (B) to Table (A) using (4) 5/16-18 x 1-1/4" FH Screws (F).