

Model Number
M4XX-XXXX, M5XX-XXXX
M6XX-XXXX

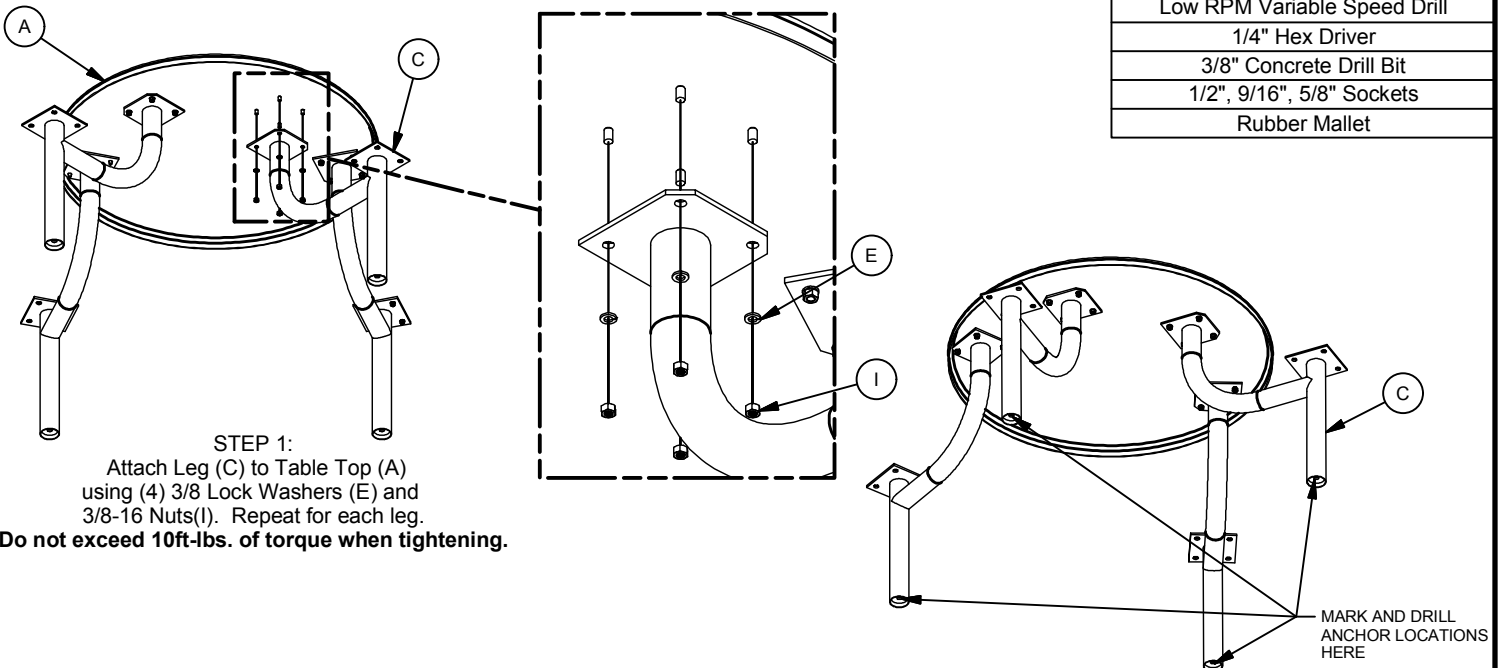
www.norix.com • TEL 800 234-4900

Assembly Notes: Norix is not responsible for any damage due to improper installation. If your shipment does not match the parts list, please contact Norix Customer Service at 800-234-4900. Norix reserves the right to modify design specifications at any time without an obligation to owners of previously sold products.

PARTS LIST

ITEM	QTY	PART NUMBER	DESCRIPTION
A	1	05X-XXX	TOP, ECONO 42", 54", & 60" DIA. SST PLAIN OR GAMETOP
B	4	040-060	SEAT 304SS 14GA 12in DIA
C	4	034-505/034-705/034-518	LEG, ECONO-MAX BOLTDOWN, GLIDED, & ADA
D	4	024-001	ANCHOR 3/8-16 x 3-3/4 CONCRETE ZINC
E	16	025-006	WASHER 3/8 LOCK ZINC
F	16	025-007	NUT 5/16-18 STL ZINC DRI-LOC
G	16	025-011	WASHER 5/16 SPLIT
H	4	026-008	3/8-16 NUT/FLANGED
I	16	026-010	Nut 3/8-16, Steel, Zinc

Tools Needed
Low RPM Variable Speed Drill
1/4" Hex Driver
3/8" Concrete Drill Bit
1/2", 9/16", 5/8" Sockets
Rubber Mallet



STEP 1:
Attach Leg (C) to Table Top (A) using (4) 3/8 Lock Washers (E) and 3/8-16 Nuts (I). Repeat for each leg.
Do not exceed 10ft.-lbs. of torque when tightening.

STEP 2:
Position the Table Assembly at a desired location and mark anchor locations through holes on Legs (C). Set unit aside and drill 2" deep 3/8" holes at the locations marked on the floor. Completely remove concrete dust.

STEP 3:
Install Anchors (D) to the floor and slide (4) Legs (C) assembled Table over the (4) Anchors. Secure the Legs with (4) Flange Nuts (H). Use magnetic socket to tighten.

STEP 4:
Secure Seat (B) to Leg (C) using (4) 5/16 Split Washers (G) and 5/16-18 Nuts (F). Repeat for each seat.
Do not exceed 10ft.-lbs. of torque when tightening.

