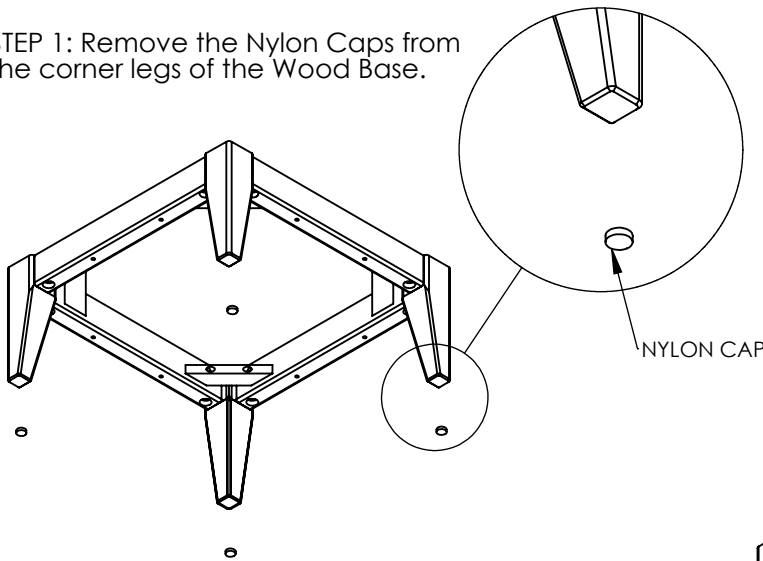


Assembly Notes: Norix is not responsible for any damage due to improper installation. If your shipment does not match the parts list, please contact Norix Customer Service at 800-234-4900. Norix reserves the right to modify design specifications at any time without an obligation to owners of previously sold products.

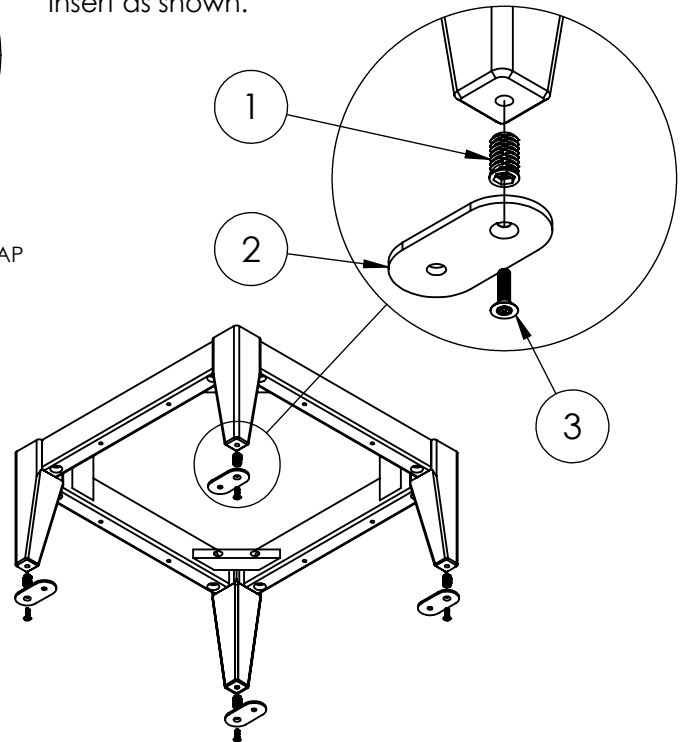
PARTS LIST

| ITEM NO. | QTY | PART NUMBER | DESCRIPTION |
|----------|-----|-------------|--|
| 1 | 4 | | Insert, Threaded, 1/4"-20 x 5/8" Steel |
| 2 | 4 | 029-047 | Forte External Bolt Down Tab |
| 3 | 4 | 021-077 | Screw, Machine 1/4"-20 X 1", FH, Pin in Torx® T-27, Zinc |

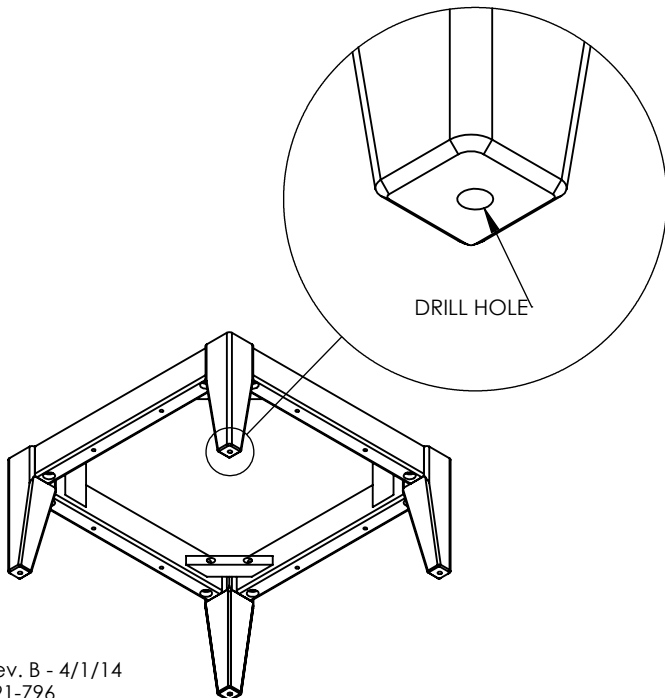
STEP 1: Remove the Nylon Caps from the corner legs of the Wood Base.



STEP 3: Insert the Threaded Insert into the holes of each leg. Fasten Bolt Down plate to the Insert as shown.



STEP 2: Drill a 2" Deep Hole in each of the corner legs.



STEP 4: Mark Anchor locations and Secure the base to the floor with mounting hardware.

