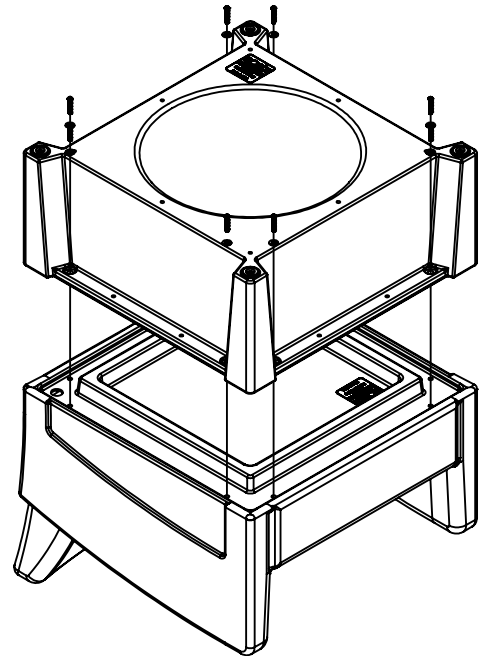


TOOLS NEEDED

Pin-in-Torx Ⓞ Driver T-40

Step 1: Invert chair/table assembly. Remove (8) screws and washers and separate the Base from the rest of unit.

Step 2: Place the Base upright.
Remove the Molded Cap and insert sand or pea gravel until the Base is filled with the desired amount of sand.
RECOMMENDED BALLAST WEIGHT: 100LBS
MAXIMUM BALLAST WEIGHT: 200LBS
Re-insert Molded Cap back to the Base



Step 3: Reinstall the chair/table top in an upright position. Due to the weight of the ballasted Base, do not attempt to invert the Base for re-assembly. Tighten screws securely.

