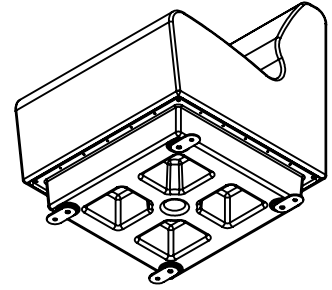


## Hondo Nuevo Plinth Base with Bolt Down Tabs Assembly Instructions

### Model Number

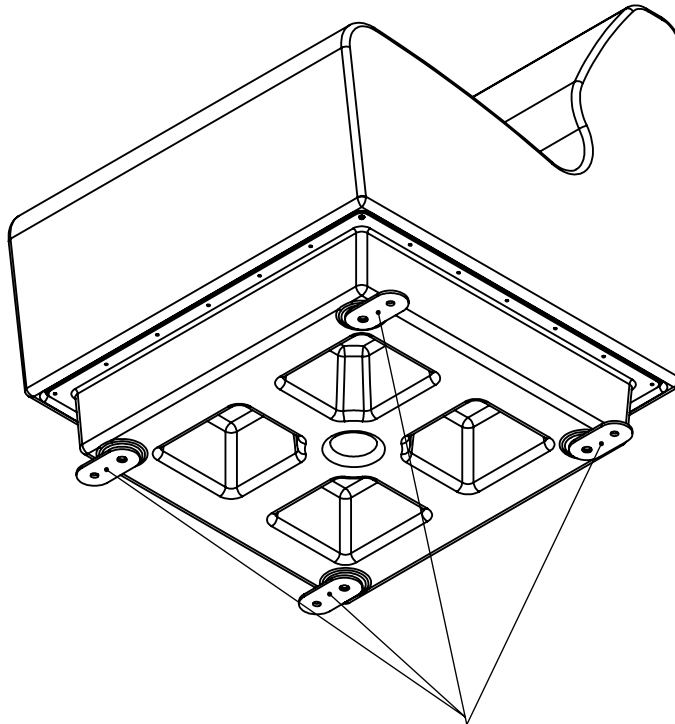
HN800-YYY, HN850-800-ZZZB  
 HN805L-YYY, HN850-800-ZZZB  
 HN805R-YYY, HN850-800-ZZZB  
 HN810-YYY, HN850-800-ZZZB  
 HN815-YYY, HN850-800-ZZZB  
 HN820-YYY, HN850-820-ZZZB  
 HN825-YYY, HN850-825-ZZZB  
 HN830-YYY, HN850-830-ZZZB  
 HN835-YYY, HN850-835-ZZZB  
 HN845-YYY, HN850-845-ZZZB  
 HN880-YYY, HN850-800-ZZZB  
 HN885-YYY, HN850-885-ZZZB



Assembly Notes: Norix is not responsible for any damage due to improper installation. If your shipment does not match the parts list, please contact Norix Customer Service at 800-234-4900. Norix reserves the right to modify design specifications at any time without an obligation to owners of previously sold products.

Parts List				Tools Needed
ITEM	QTY.	PART NUMBER	DESCRIPTION	Low RPM Variable Speed Drill
A	4*	029-044	Plate, Bolt Down, Gibraltar Bengal Silver	Anchors
B	4*	026-008	Nut-Washer Assy, .375-16, Zinc, Thd. Lk.	

\* HN845-XXX, HN850-845-XXXB Round Ottoman has quantity 3.



Mark anchor locations on floor and secure the chair to the floor with the bolt down tabs using mounting hardware.