

Model Number
B510-XXX
B51X-2KD-XXXX

www.norix.com • TEL 800 234-4900

Assembly Notes: Norix is not responsible for any damage due to improper installation. If your shipment does not match the parts list, please contact Norix Customer Service at 800-234-4900. Norix reserves the right to modify design specifications at any time without an obligation to owners of previously sold products.

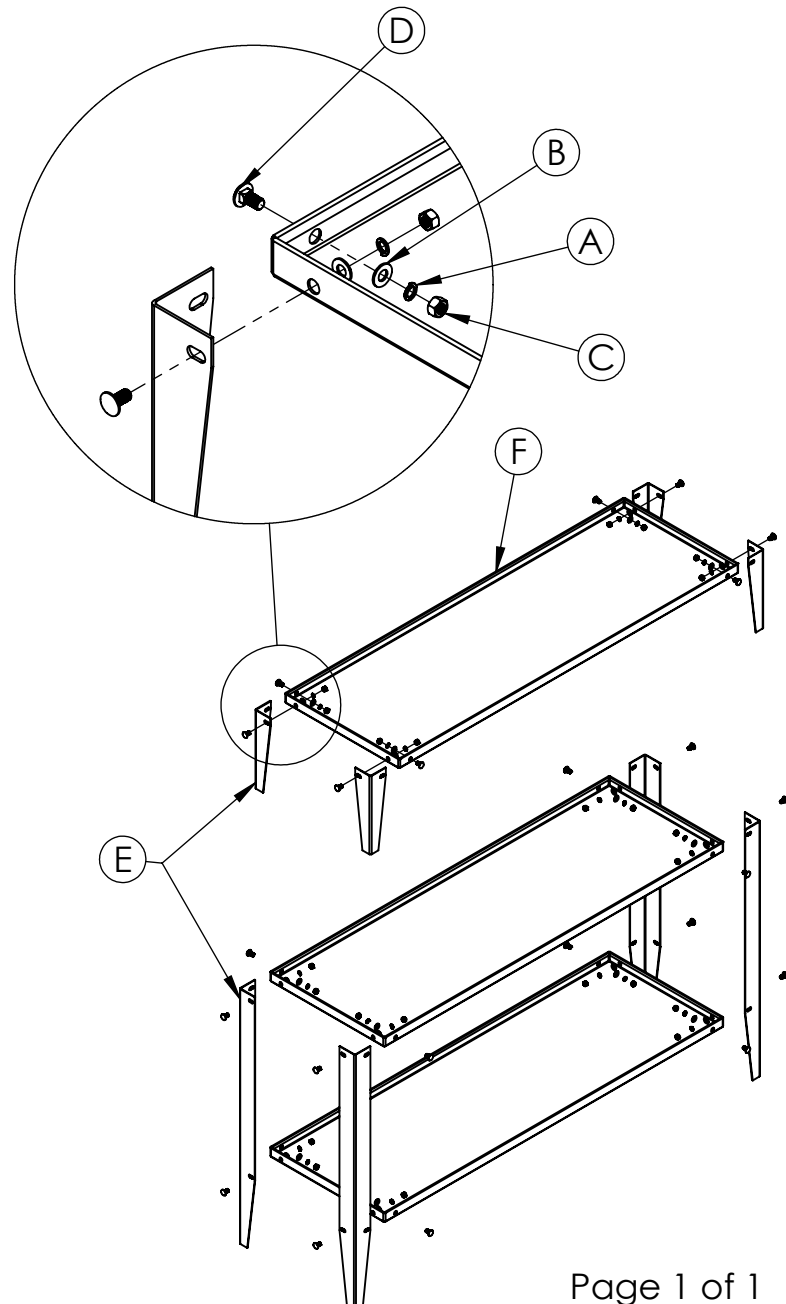
Parts List				Tools Needed
ITEM	QTY.	PART NUMBER	DESCRIPTION	3/4" Combination Wrench
A	8 (16)	025-004	Lock Washer, 1/2", Zinc	
B	8 (16)	025-008	Flat Washer, 17/32" ID x 1-1/16" OD x 0.083" Zinc	
C	8 (16)	026-003	Nut, 1/2-13 Zinc, Thread Lock	
D	8(16)	026-005	Carriage Bolt, 1/2"-13 x 1.0" L, Zinc	
E	4	036-212/036-213	Ironcan Leg, KD, Single & Double Bunk, Grey	
F	1(2)	037-XXX	Bunk Pan Hemmed	

Step 1:

Place the bed pan upside down on a soft, flat protective surface.

Step 2:

Place a leg upside down over the outer corner of the bed pan. Insert the carriage bolt from the outside through the rectangular hole in the leg and into the bed pan. Place the lock washer and nut on the bolt and tighten by hand. Repeat the procedure for the other bolt on the leg. Then repeat the procedure for each leg.



Step 3:

For double bunks, install the second bed pan using the above procedure.

Step 4:

Tighten each nut using the combination wrench.