

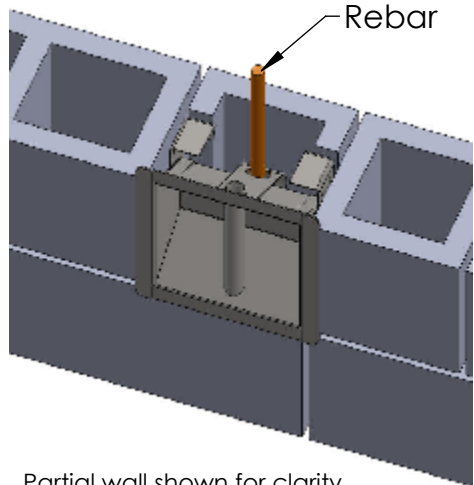
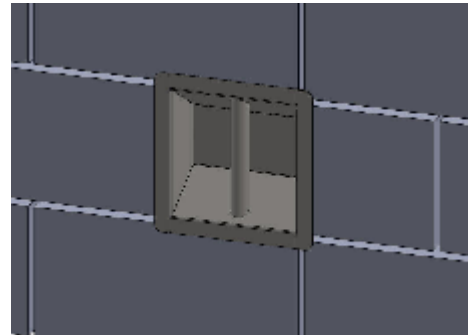
Assembly Notes: Norix is not responsible for any damage due to improper installation. If your shipment does not match the parts list, please contact Norix Customer Service at 800-234-4900. Norix reserves the right to modify design specifications at any time without an obligation to owners of previously sold products.

Recessed Cuff Ring can be installed in block or poured concrete wall.

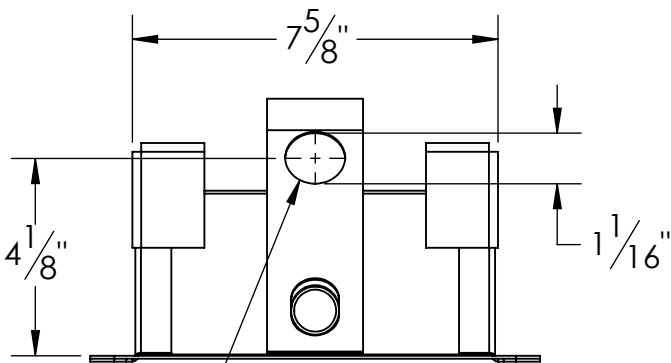
Side brackets form 7 5/8" by 7 5/8" square; typical half-block dimensions.

Place rebar through holes in embed bracket.

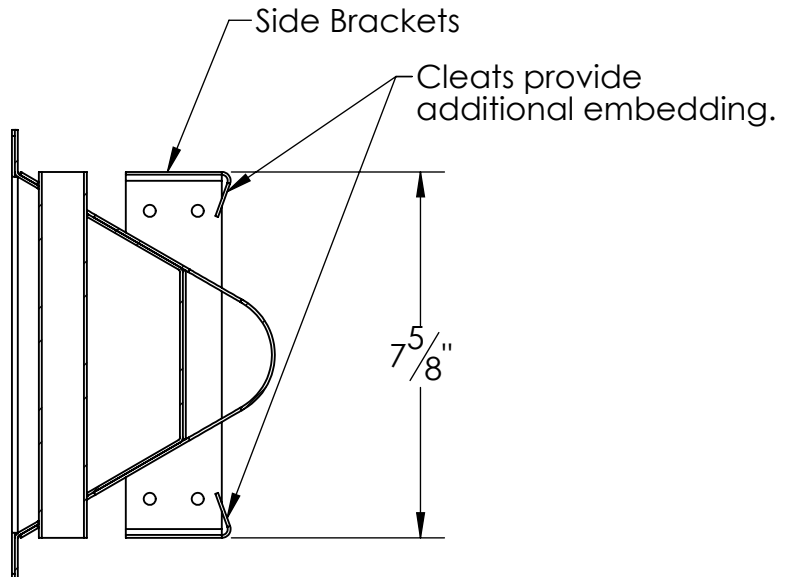
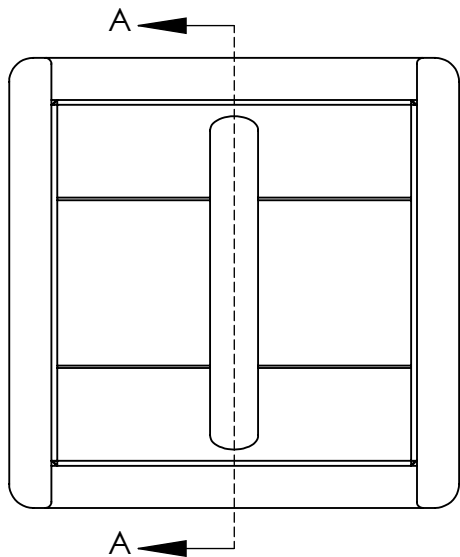
Back-fill with mortar to completely surround Rebar, Embed Bracket, and cleats on ends of Side Brackets.



Partial wall shown for clarity.



Hole through Embed Bracket for Rebar



SECTION A-A