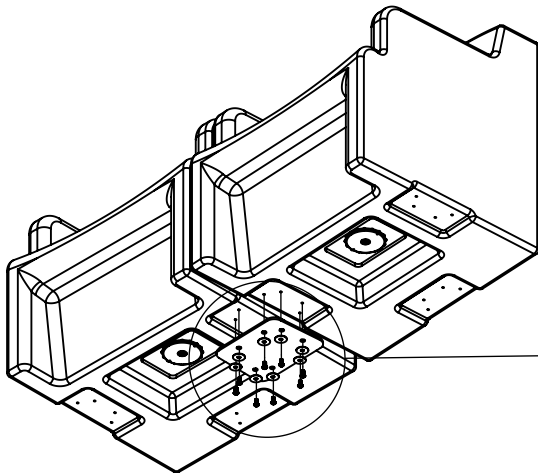


Assembly Notes: Norix is not responsible for any damage due to improper installation. If your shipment does not match the parts list, please contact Norix Customer Service at 800-234-4900. Norix reserves the right to modify design specifications at any time without an obligation to owners of previously sold products.

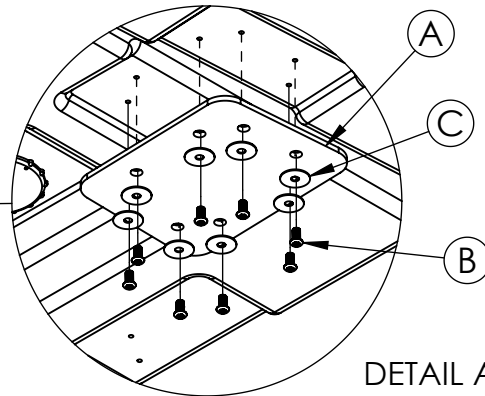
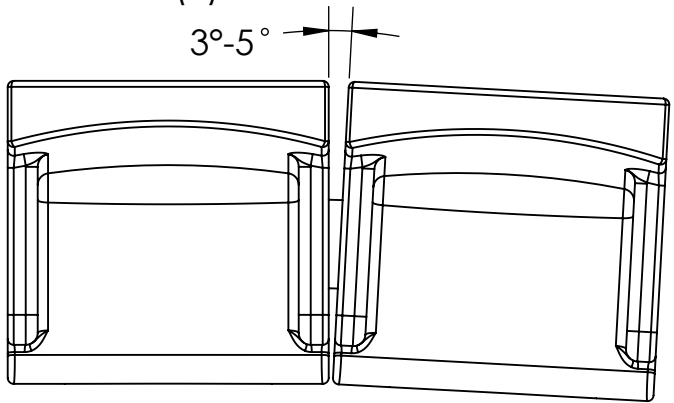
Parts List				Tools Needed
ITEM	QTY.	PART NUMBER	DESCRIPTION	Low RPM Variable Speed Drill
A	1	011-003	Arc Ganging Plate	T-40, Torx Bit
B	8	021-051	Machine Screw 5/16"-18 x 5/8"	
C	8	026-002	Washer, 11/32"ID x 1.25"OD x .050"THK	

Align the front corners of Chairs and place the ganging plate as shown. Secure plate to chairs with (8) Machine Screws and (8) Washers. Do not overtighten.

TOUGH-CARE



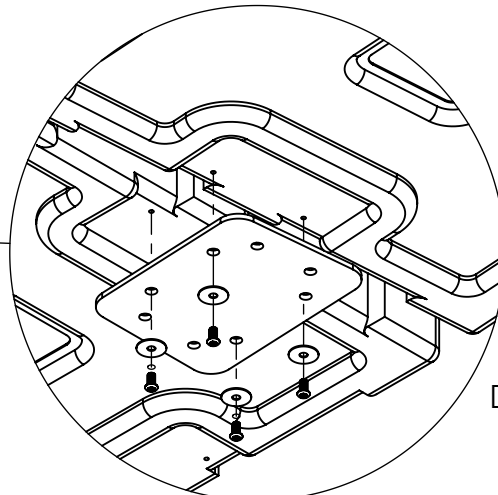
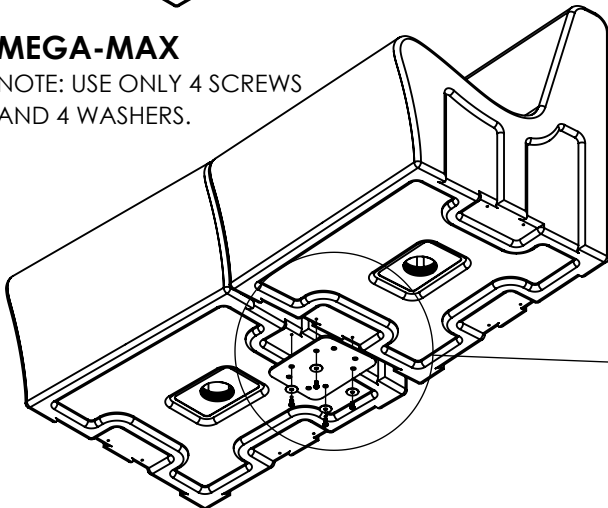
3°-5°



DETAIL A

MEGA-MAX

NOTE: USE ONLY 4 SCREWS AND 4 WASHERS.



DETAIL B