

Assembly Notes: Norix is not responsible for any damage due to improper installation. If your shipment does not match the parts list, please contact Norix Customer Service at 800-234-4900. Norix reserves the right to modify design specifications at any time without an obligation to owners of previously sold products.

### PARTS LIST

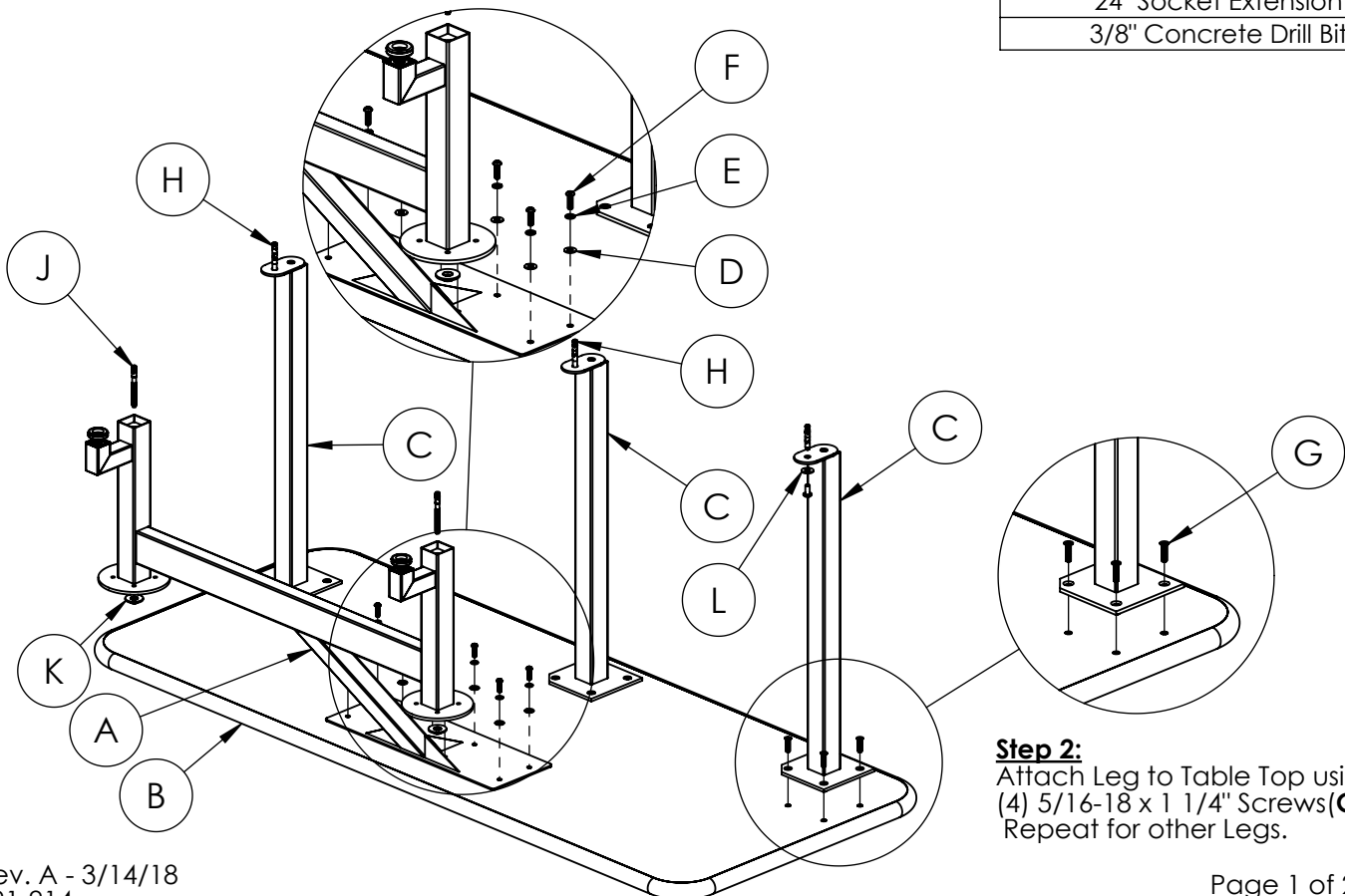
ITEM	QTY	PART NUMBER	DESCRIPTION
A	1	033-3206-XX	Oasis Classroom Table Frame
B	1	053-3072-MA-YYZZZ-J	Top, Oasis, 30x72, Juvenile Class, Laminate Top, Molded-Edge
C	3	033-3205-XX	Oasis Bolt Down Leg
D	8	026-006	Washer, Flat, 11/32 ID x 3/4" OD x 0.050 THK 18-8 SST
E	8	025-030	Washer, Lock, Split, 5/16", Blk Ox.
F	8	021-050	Screw, 5/16"-18 x 1" BH, Pin in Torx T-40, Black Oxide, Loctite
G	12	021-002	Screw, Machine 5/16"-18 X 1-1/4" L, FH, Pin in Torx® T40, Black Oxide, Thd. Lk.
H	3	024-003	Anchor, Secure Bolt, 3/8" x 2-1/2" L, 5/16"-18 Thread, BH, Pin in Torx® T45, SST Post
J	2	024-001	Anchor, Concrete, Wedge, 3/8"-16 X 3.5", Zinc
K	2	026-008	Nut/Washer Assy. 3/8"-16, Zinc, Thd. Lk.
L	3	025-009	Washer, Flat, 3/8"

#### Tools Needed

Low RPM Variable Speed Drill
5/8" Magnetic Deep Socket
1/4" Hex Driver
Rubber Mallet
24" Socket Extension
3/8" Concrete Drill Bit

#### Step 1:

Place Table Top on protected surface. Attach Leg Frame to Table Top using (8) 5/16-18 x 1" Screws(F), (8) 5/16 Lock Washers(E), and (8) 11/32 Flat Washers(D).

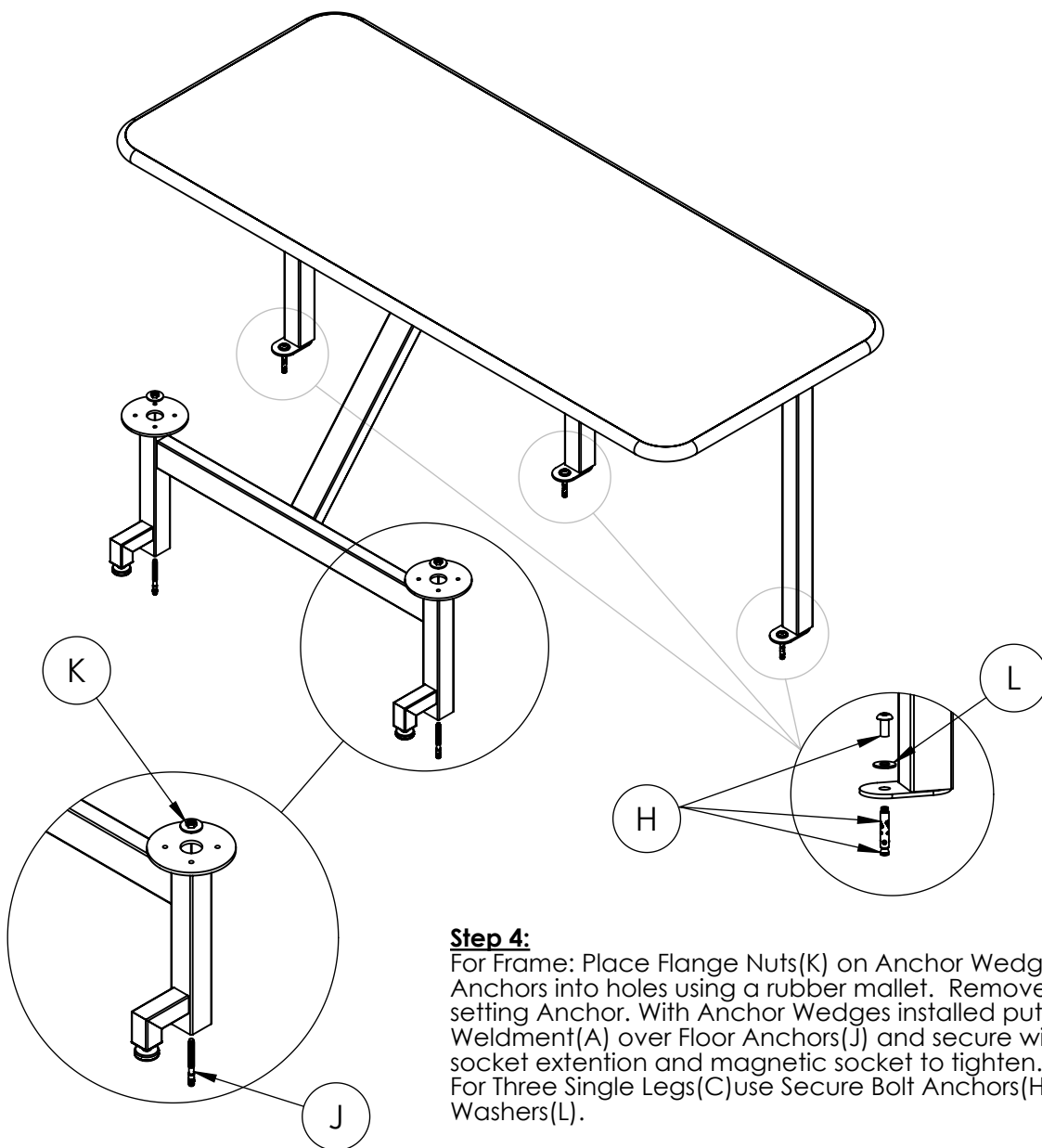
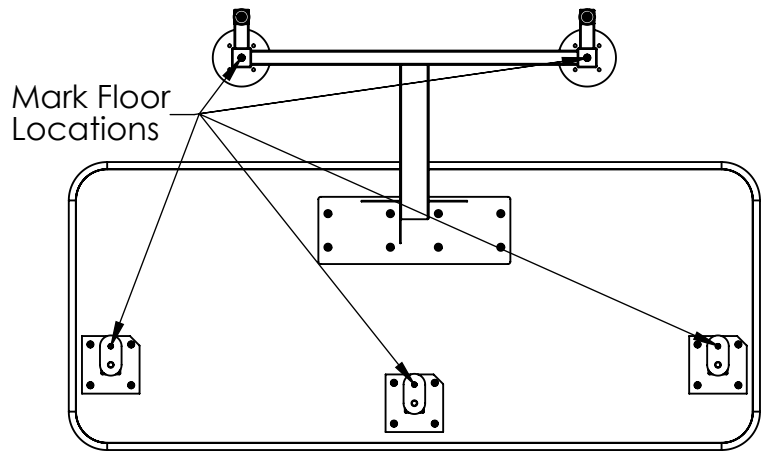


#### Step 2:

Attach Leg to Table Top using (4) 5/16-18 x 1 1/4" Screws(G). Repeat for other Legs.

**Step 3:**

Position unit at final location and mark anchor locations through holes on Legs. Remove Table and drill holes. Completely remove all concrete dust.



**Step 4:**

For Frame: Place Flange Nuts(K) on Anchor Wedges(J) and drive Anchors into holes using a rubber mallet. Remove Flange Nut after setting Anchor. With Anchor Wedges installed put Frame Weldment(A) over Floor Anchors(J) and secure with Flange Nuts. Use socket extension and magnetic socket to tighten.  
For Three Single Legs(C) use Secure Bolt Anchors(H) and 3/8 Flat Washers(L).