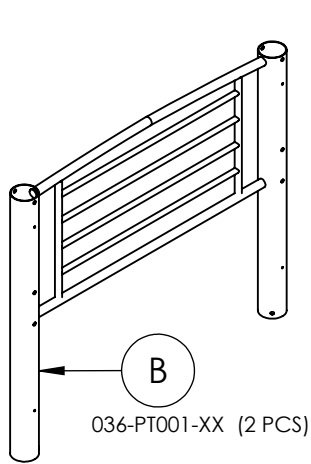


Assembly Notes: Norix is not responsible for any damage due to improper installation. If your shipment does not match the parts list, please contact Norix Customer Service at 800-234-4900. Norix reserves the right to modify design specifications at any time without an obligation to owners of previously sold products.

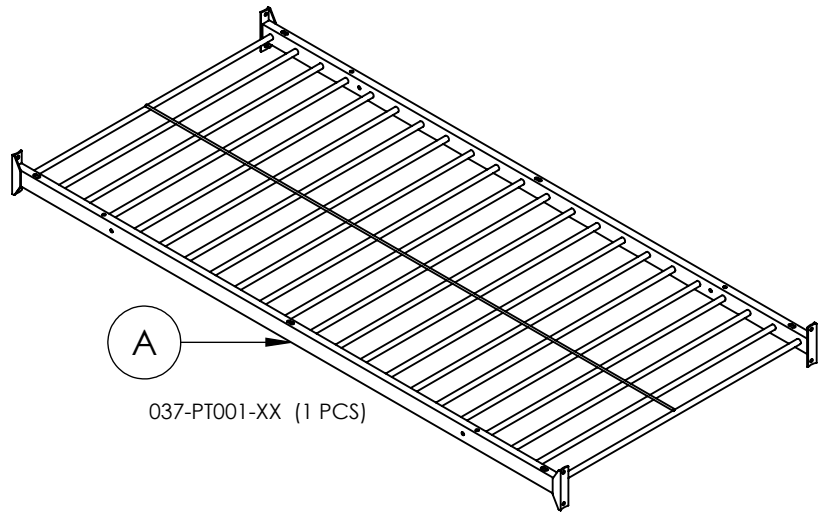
PARTS LIST

ITEM NO.	QTY	REV	PART NUMBER	DESCRIPTION
A	1	A	037-PT001-XX	Protege II Deck
B	2	A	036-PT001-XX	Protege II Endframe
C	8	A	027-PT001-XX	Protege II Tube Cap
D	4	A	025-043	Washer, Flat, 3/8" ID x 11/16" OD, Black Oxide
E	12	A	025-041	Washer, Flat, 1/4" ID x 5/8 OD, Black Oxide
F	12	A	021-133	Screw, Machine, 1/4-20 X .625", CH, 4mm Hex Socket, Black Oxide
G	4	A	030-PT001-XX	Protege II Floor Bracket
H	4	A	021-135	Screw, Lag, M8X45, Hex Head, Black Oxide
I	4	A	025-044	Nut, Lock, 1/4-20, Black Oxide
J	4	A	024-023	Concrete Anchor 1/2" x 1-3/4" for 5/16" Lag Bolt

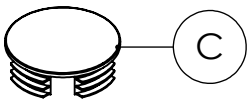
Note: Do not tighten screws until assembly is complete.



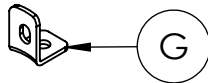
036-PT001-XX (2 PCS)



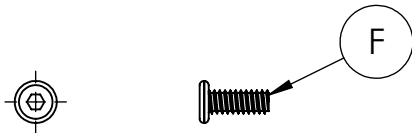
037-PT001-XX (1 PCS)



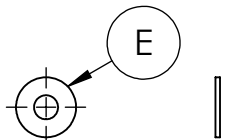
027-PT001-XX (8 PCS)



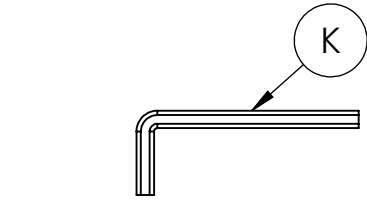
030-PT001-XX (4 PCS)



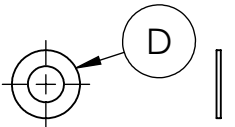
021-133 (12 Pcs)



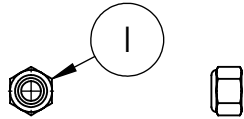
025-041 (12 Pcs)



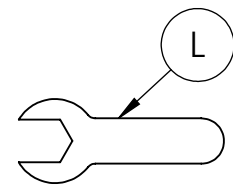
071-016 (1 Pcs)



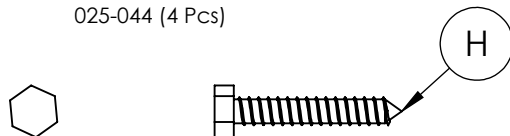
025-043 (4 Pcs)



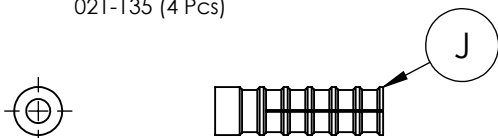
025-044 (4 Pcs)



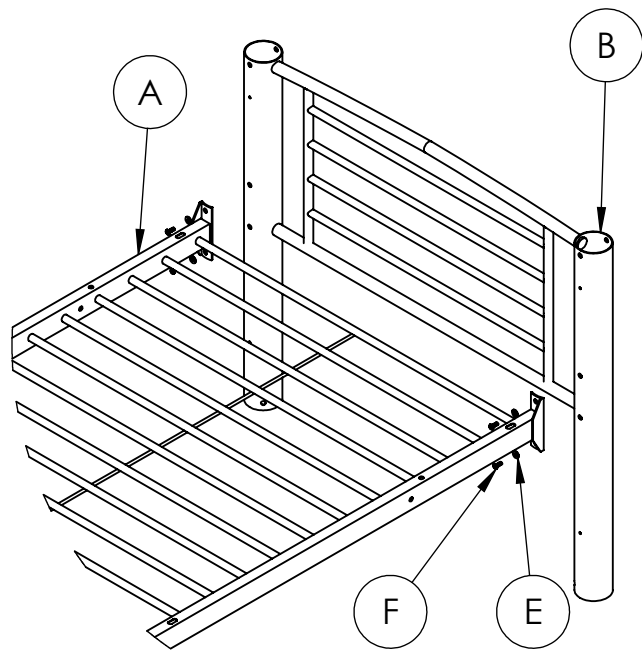
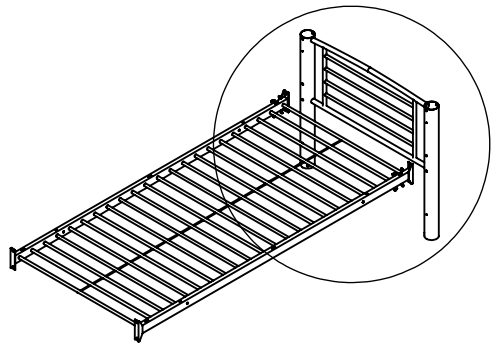
071-018 (1 Pcs)



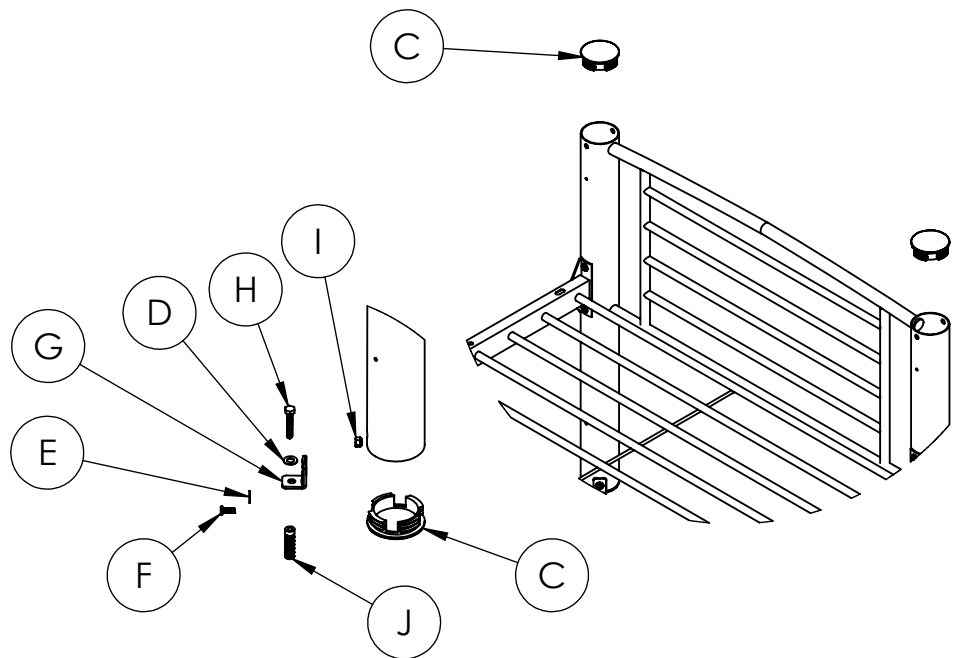
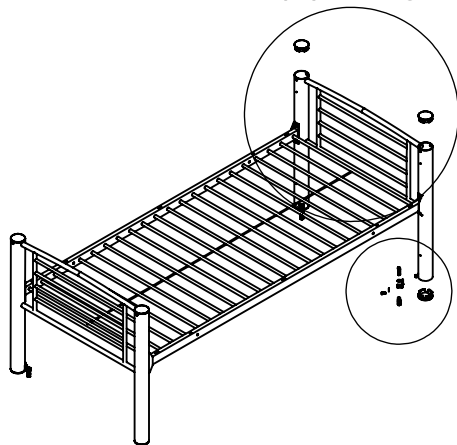
021-135 (4 Pcs)



024-023 (4 Pcs)



Step 1: Using (4) 1/4" x 5/8" Screws (F) and (4) 1/4" Washers (E) Secure Deck (A) to End Frame (B) Using 4mm Allen Wrench (K). Repeat for other end Frame.



Step 2: Determine if Freestanding, Bolt Down, or Bunked.

A: If Free Standing Insert (8) Tube Caps (C) in the top and bottom of the End Frames.

B: IF Bolting to Floor use (4) Floor Brackets (G), (4) 1/4" x 5/8" Screws (F), (4) 1/4" Washers (E), and (4) Lock Nuts (I) and secure to each End Frame Leg using 4mm Allen Wrench (K) and 11.3mm Wrench (L). Insert (4) Tube Caps (C) into bottom of End Frame Legs Aligning cut-out with Lock Nut. Bolt to Floor Using (4) Concrete Anchors (J), (4) 3/8" Washers (D) and (4) Lag Screws (H). Insert (4) Tube Caps (C) in the tops of End Frame Tubes.

C: If Bunked, See Instructions for PROT200-XX